

This product is intended for installation only by expert users. Please consult with a qualified technician for installation. Improper installation may result in damage to your equipment.

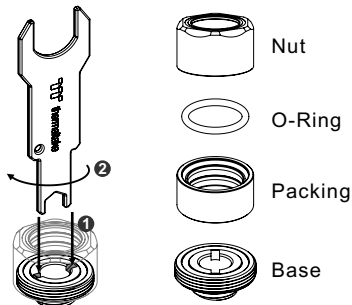
1. Please carefully read the manual before beginning the installation process !
2. It is strongly recommended to use market proven pre-mix coolant, such as Thermaltake Coolant.
3. DO NOT USE any kind of alcohol or alcohol derivatives with this reservoir or the acrylic tube may crack and fail ! Do not clean it using alcohol either !

Before Installation

- CAUTIONS:** 1. Make sure there is enough space when you start set up the LCS product
2. Please use the wrench to install/ uninstall the base parts during all the installation

Fitting

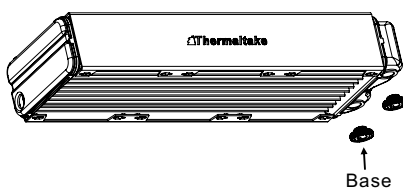
Dismantle the fitting by using the wrench



Radiators

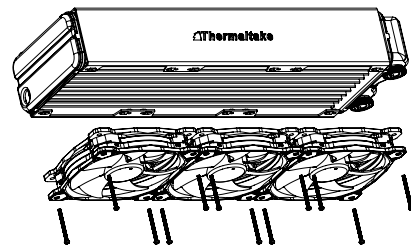
To ensure a clean loop, flush and rinse your radiators and water blocks with distilled water before using.

Make sure the fittings are screwed securely when placing them onto the radiator.



Case Fan

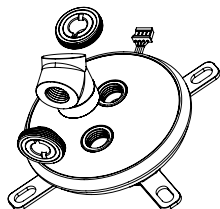
Attach the fans to the radiator



Water Blocks

Attach the fittings to the inlet and outlet of the waterblock.

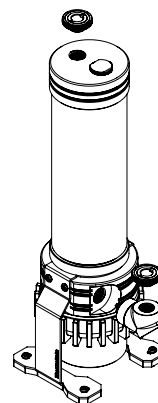
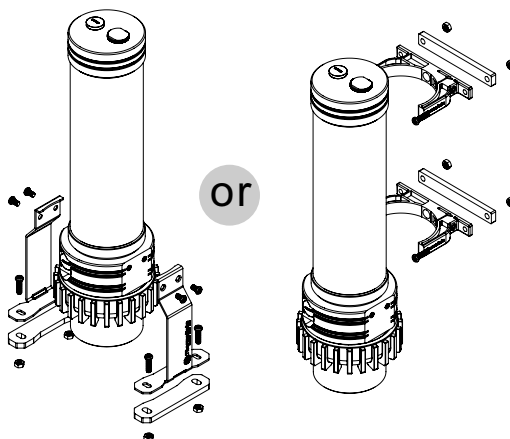
Attach the waterblock onto the motherboard by referring to the enclosed manual.



Pump and Reservoir

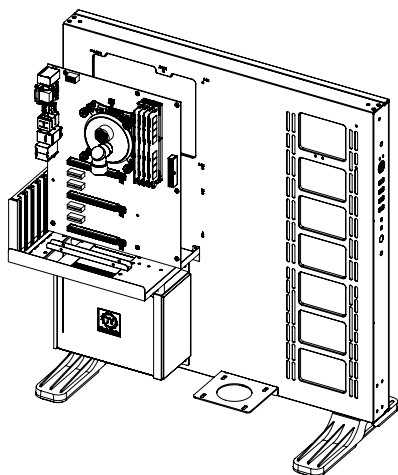
Choose the proper way to mount the pump and reservoir by referring to the manual (suggest vertical palcement)

Attach fittings onto the pump and reservoir

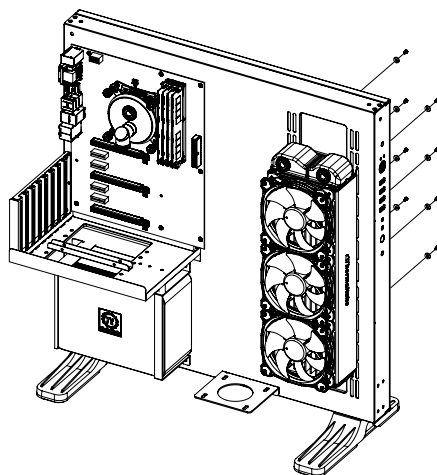


Installation Walkthrough (Example: Core P5)

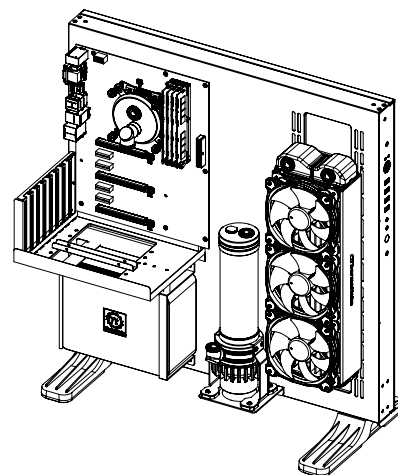
- 1** Place the motherboard into the case.



- 2** Position the radiator.

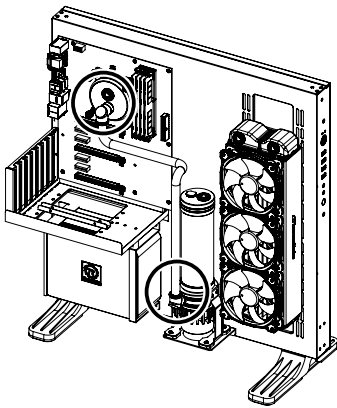


- 3** Attach the pump and reservoir into the chosen locations.

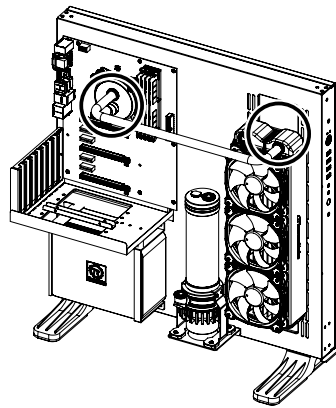


Cutting and Attaching the Tubing

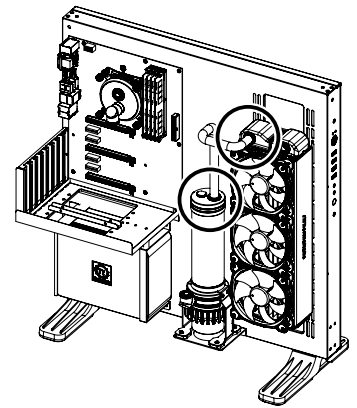
- 1** Measure the tube length based on the base part of the fitting, and make (bend) the tubes. The loop order : Pump Outlet > Water Block



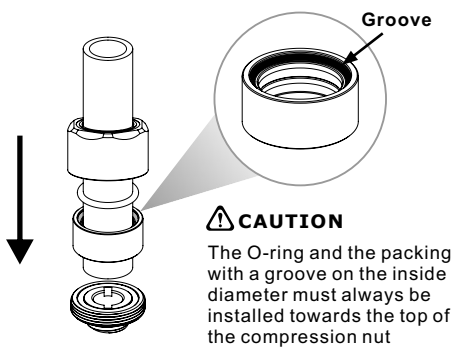
- 2** Measure the tube length based on the base part of the fitting, and make (bend) the tubes. The loop order : Water Block > Radiator



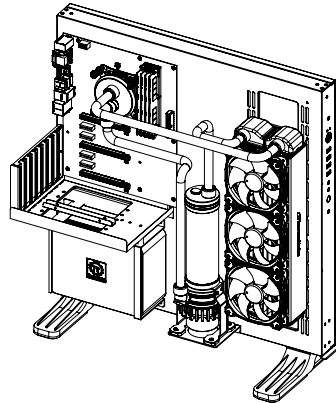
- 3** Measure the tube length based on the base part of the fitting, and make (bend) the tubes. The loop order : Radiator > Reservoir inlet



- 4** Fit the C-Pro fitting to the tube according to the order in the picture below, Install the tubes and tight the fitting caps.



- 5** Finished

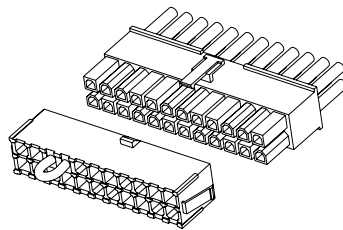


Filling the System

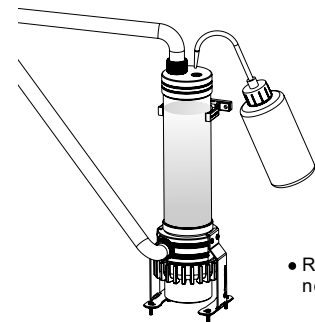
CAUTIONS:

1. Before filling the system, please make sure that each fitting as well as unused ports are completely sealed.
2. If there is any case of leaking, immediately turn off the power and clean the leak
3. If there is any related electronic parts stained on liquid coolant, make sure to completely clean and dry the components. And then make sure they all work well.

- 1** After switching off the power supply, connect the PSU power cord and product cables.



- 2** Use the refill bottle to fill coolant into the reservoir



• Refill bottle not included

- 3** Place your PSU outside of the case and attach it to the pumps 4pin molex connector, turn on the power of PSU and make the rest of the system fills up.

Thermaltake recommends the following steps to be taken after completing your water loop setup

1. It is strongly recommended to use market proven pre-mix coolant, such as Thermaltake Coolant 1000. It offers great performance while preventing the entire cooling system – copper, brass, nickel, aluminum, and steel – from corrosion.
2. Fill the reservoir with coolant and cycle the power on and off several times while the pump pushing the coolant into the loop.
3. DO NOT let the pump run dry, when there is no liquid entering the pump turn off your power immediately
4. Fill the reservoir to the top as it will prevent air from going into the pump
5. If necessary tilt the system slightly from side to side to bleed the air out of the loop.
6. Place some paper towels under fittings and joining points to test for leaks.
7. Run the loop with the fill port open for about 24 hours to completely bleed the air out of the loop.