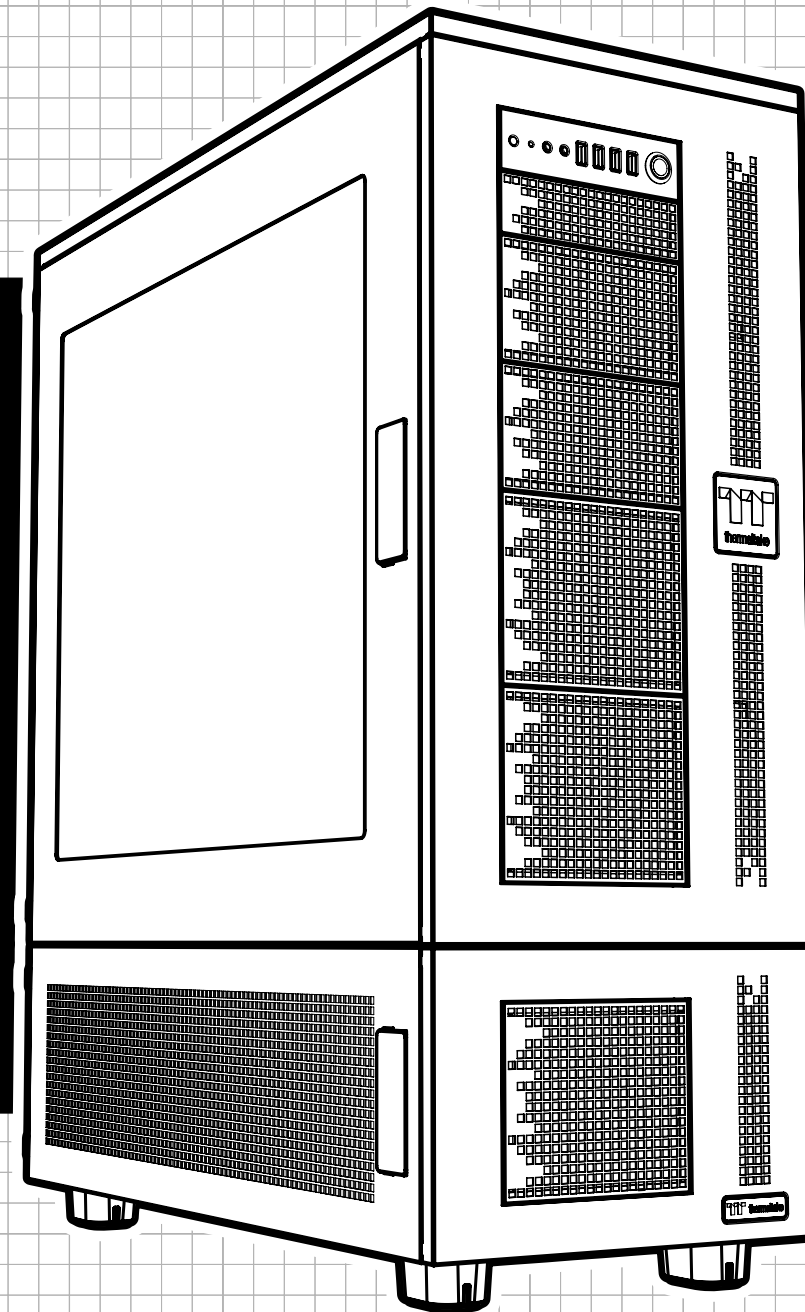


CORE W100 Series

TT Premium Line



User's Manual
Benutzerhandbuch
Mode d'emploi
Manual del usuario
Manuale dell'utente
Manual do Utilizador
安裝說明書
用戶手冊
ユーザーズマニュアル
Руководство пользователя
kullanıcı elkitabı
(EEE Yönetmeliğine Uygun)
คู่มือการใช้



© 2016 Thermaltake Technology Co., Ltd. All Rights Reserved. 2016.01
All other registered trademarks belong to their respective companies. www.thermaltake.com



TT Premium



TT Premium

To continue achieving the corporate mission of delivering the perfect user experience, Thermaltake developed "TT Premium" with the essence of combining supreme quality products with a new logo design. TT Premium is far more than just a guarantee of quality. Behind the name, it represents the passion in DIY, Modding and Thermaltake's desire to be the most innovative brand in the PC hardware market. To satisfy the demand of the high-end PC users, TT Premium follows its core values of Excellent Quality, Unique Design, Diverse Combinations and Boundless Creativity to provide a high performance PC product for every enthusiast. <http://tppremium.com>

Tt LCS-Liquid Cooling Support Certification



Tt LCS Certified is a Thermaltake exclusive certification applied to only products that pass the design and hardcore enthusiasts standards that a true LCS chassis should be held to. The Tt LCS certification was created so that we at Thermaltake can designate to all power users which chassis have been tested to be best compatible with extreme liquid cooling configurations to ensure you get the best performance from the best features and fitment.

Join Tt Community To Receive Benefits



Dear Valued Customer,
Thank you for choosing Thermaltake.
As a new user we value your thoughts and opinions and your feedback is important to us. We at Thermaltake would like to use this opportunity to invite you to join our Community Forums. Register today to start enjoying the full benefits of our community.



Benefits of being a member:

- Quick and responsive user support
- Receive help and advice with new builds
- Keep up to date with new product releases
- Share your thoughts and builds with the community
- Enter monthly contests and giveaways

Brand official website
<http://www.thermaltake.com/>

Global Facebook
<https://www.facebook.com/ThermaltakeInc>

Taiwan Facebook
<http://www.facebook.com/ThermaltakeTW>

Global community forums
<http://community.thermaltake.com>

CONTENTS

Core W100 Installation

1. Chassis Installation	01
2. Hardware Installation	13
3. Air Cooling Installation	23
4. Liquid Cooling Installation	26

Core P100 Installation

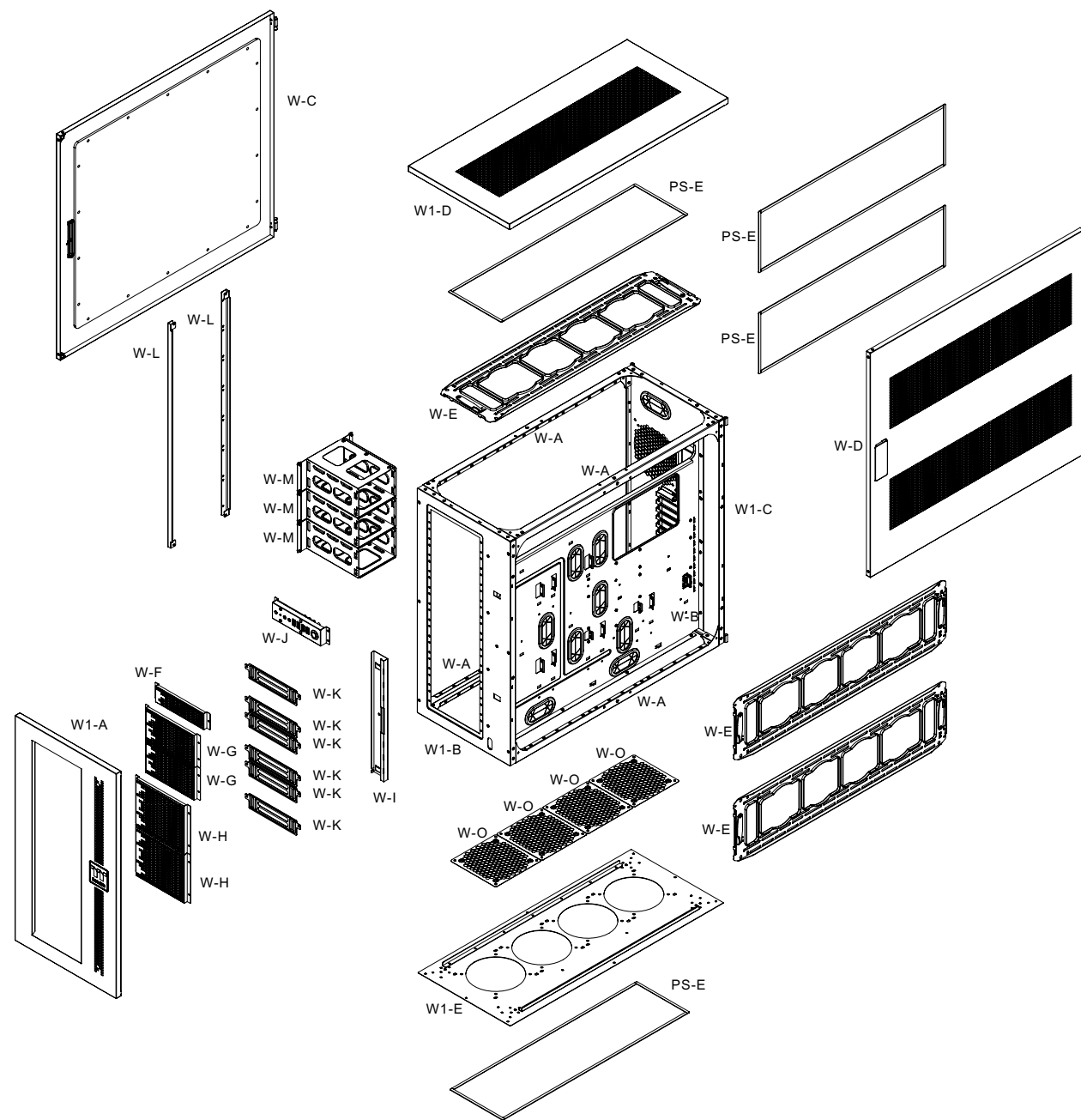
1. Chassis Installation	27
2. Air Cooling Installation	36
3. Liquid Cooling Installation	40

Core WP100 Installation

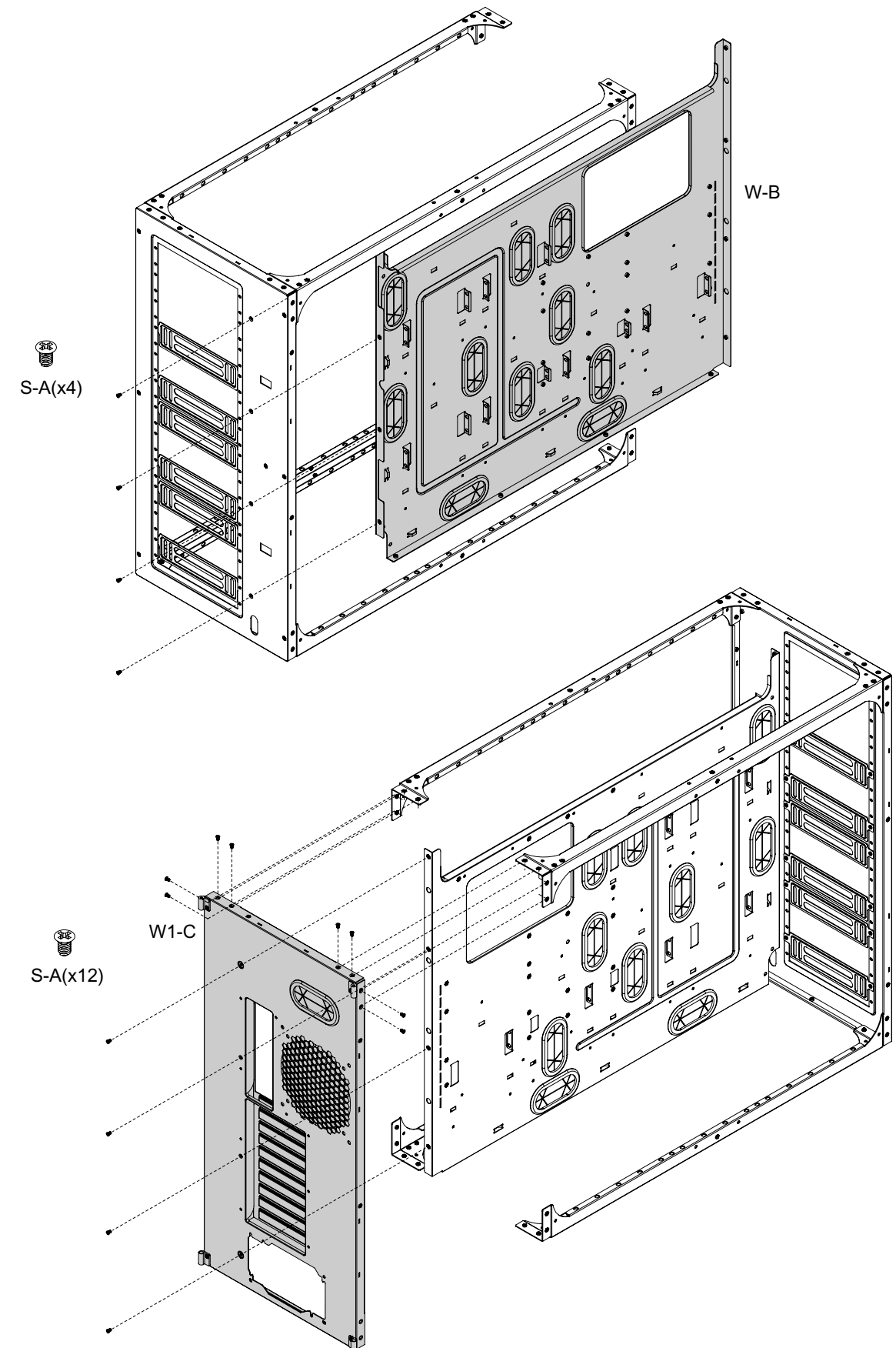
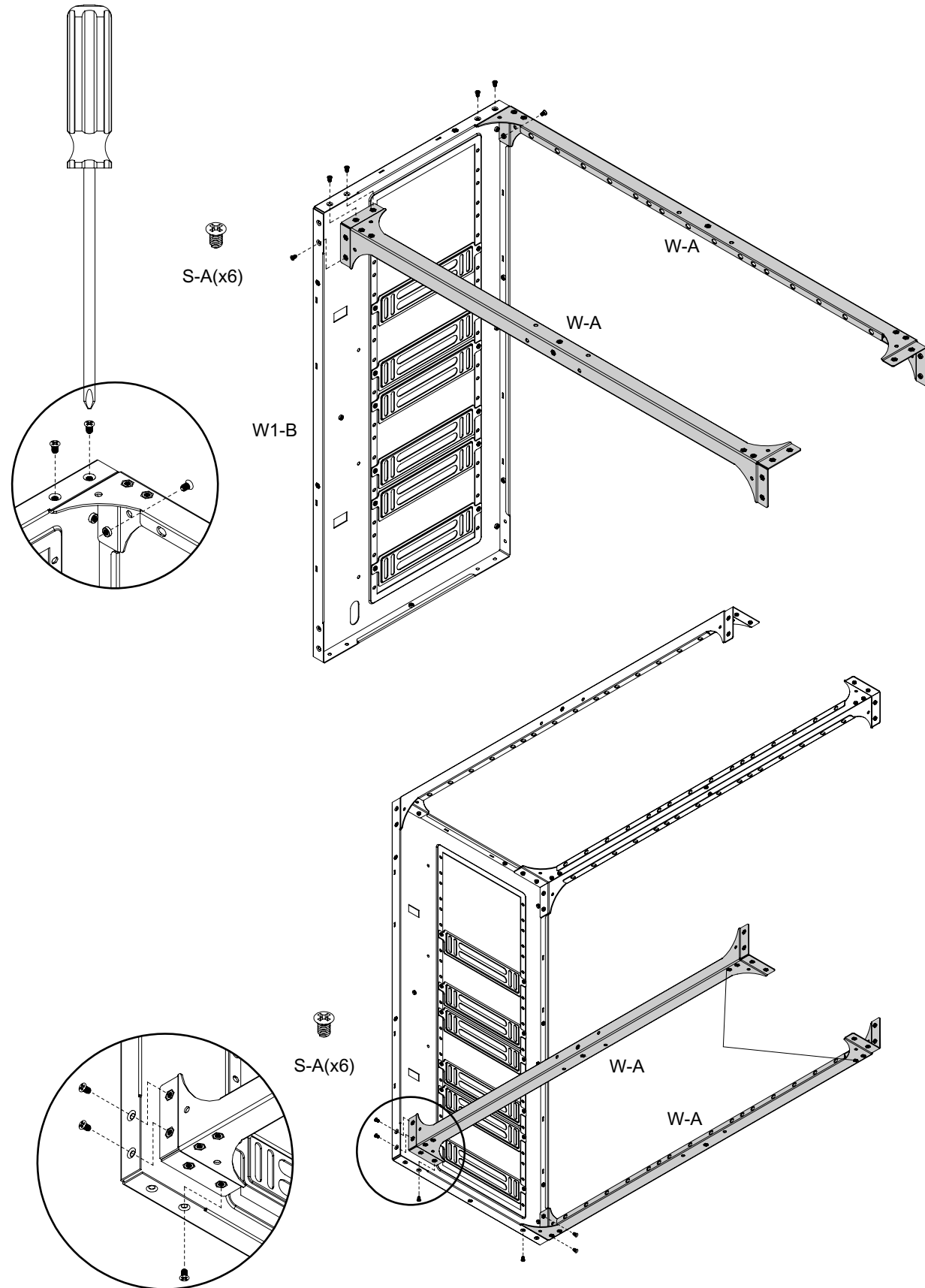
1. Stacking Installation	41
2. ODD Installation	43
3. HDD Installation	44

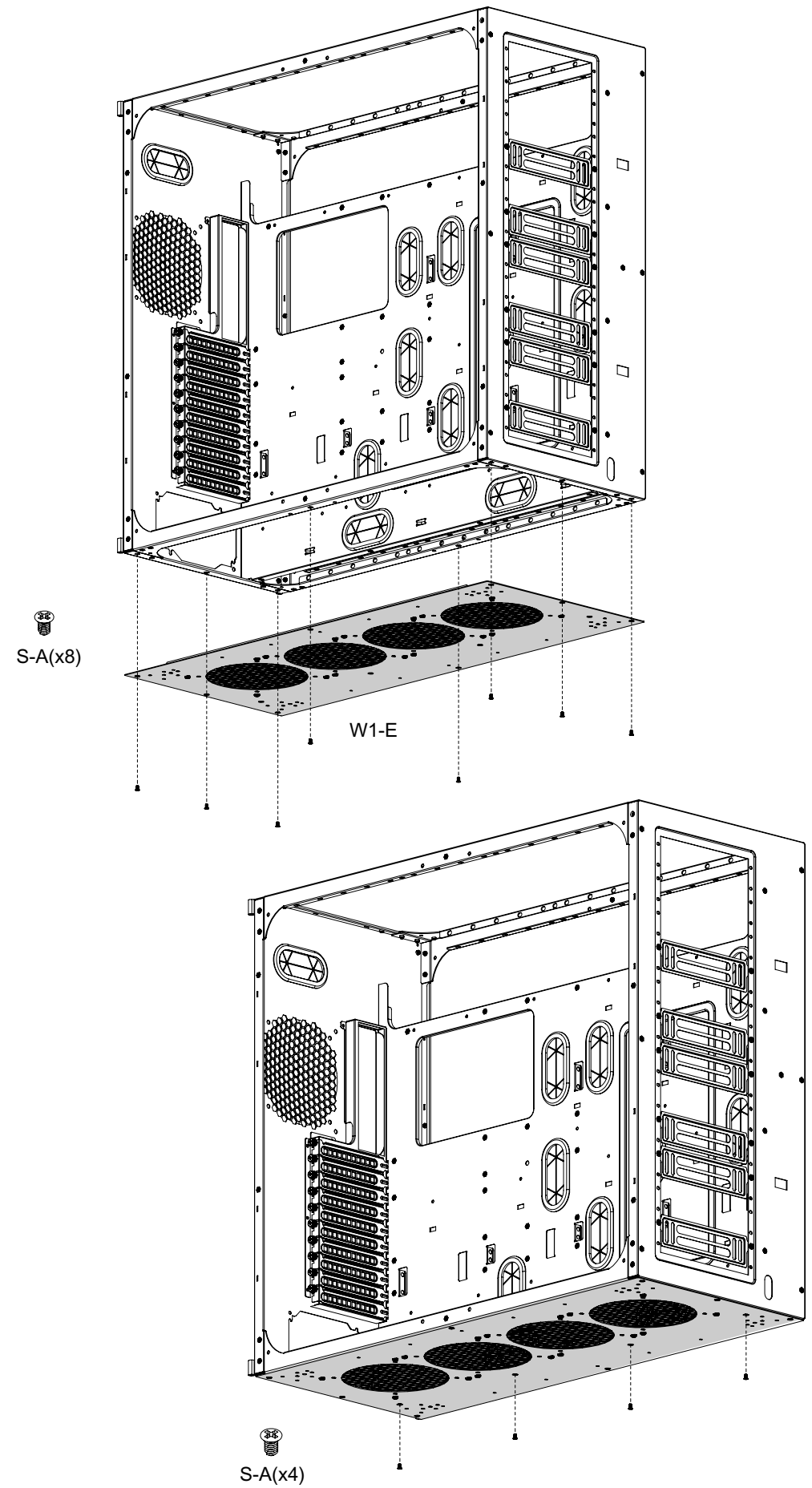
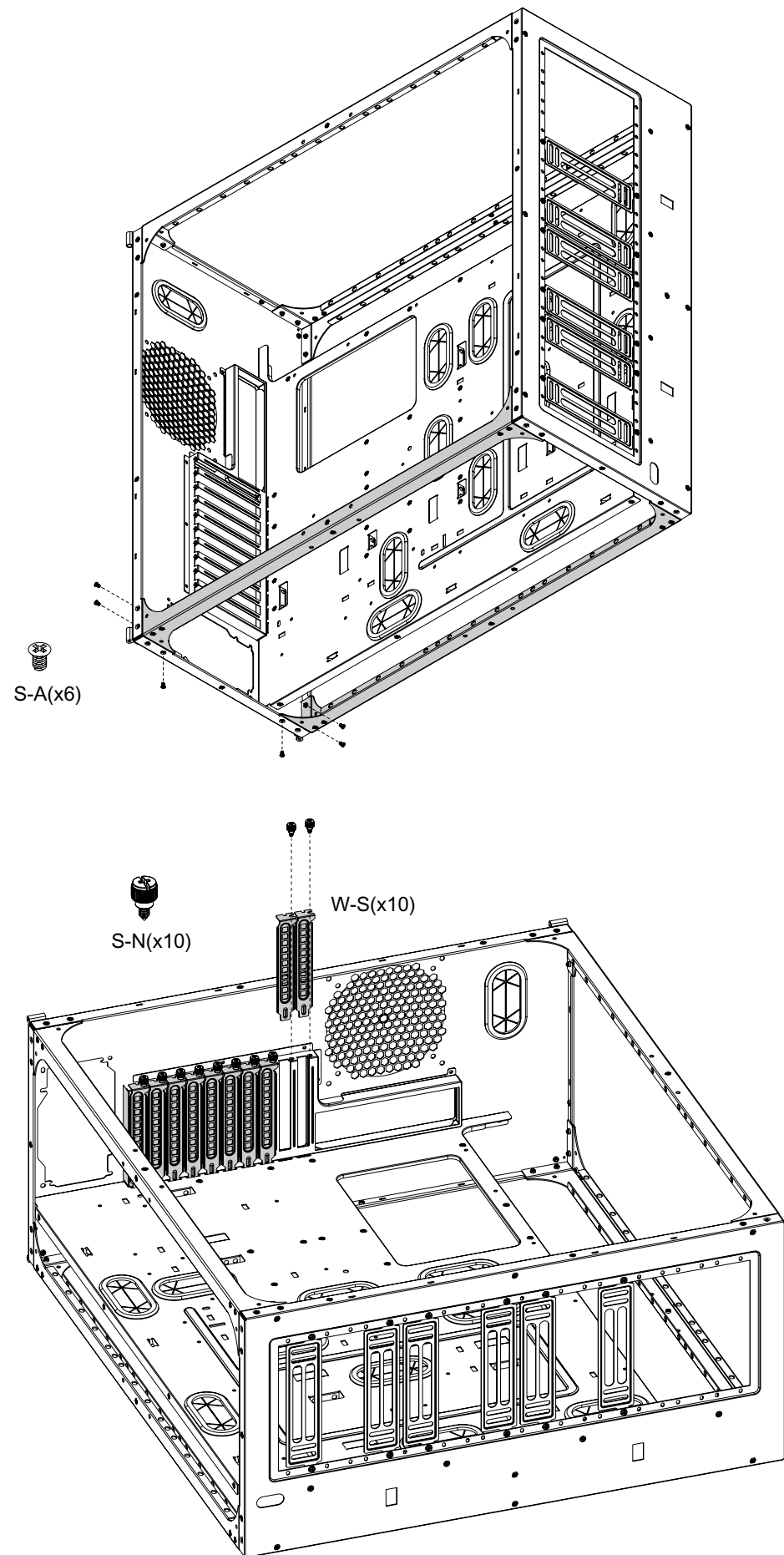
NO	CODE	PART NAME	Q'ty
1	W1-A	BEZEL	1
2	W1-B	FRONT PANEL	1
3	W1-C	BACK PANEL	1
4	W1-D	TOP PANEL	1
5	W1-E	BOTTOM PANEL	1
6	W-A	CORNER BAR	4
7	W-B	MB TRAY	1
8	W-C	WIN SIDE PANEL	1
9	W-D	AIR SIDE PANEL	1
10	W-E	RADIATOR BRACKET	3

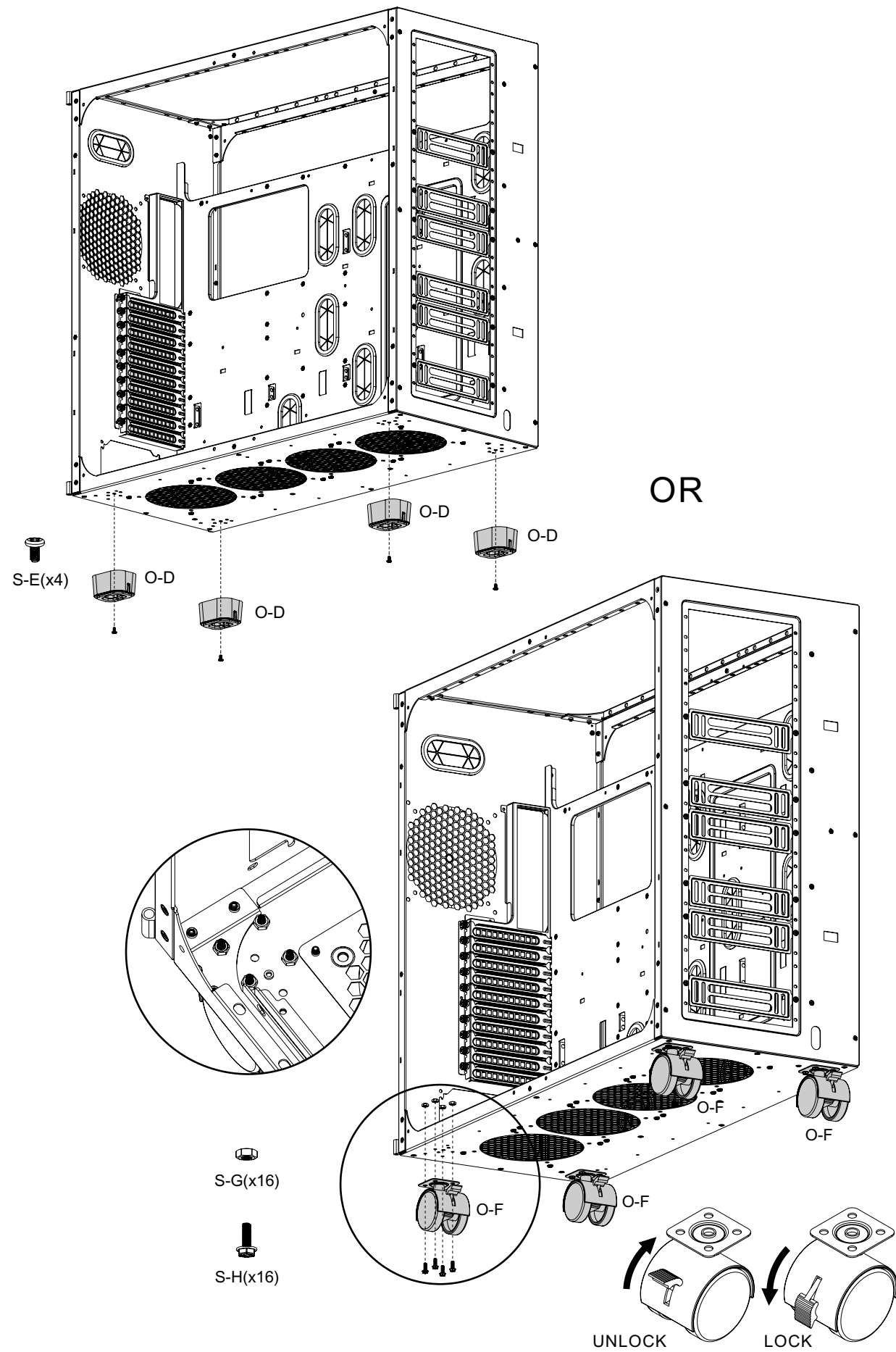
NO	CODE	PART NAME	Q'ty
11	W-F	1 BAY PLATE	1
12	W-G	2 BAY PLATE	2
13	W-H	3 BAY PLATE	2
14	W-I	LED STRIP BRACKET	1
15	W-J	525 IO PLATE	1
16	W-K	FAN FIXED PLATE	6
17	W-L	HDD CAGE BRACKET	2
18	W-M	HDD CAGE	3
19	W-O	FAN HOLE AIR COVER	4
20	PS-E	FILTER	4



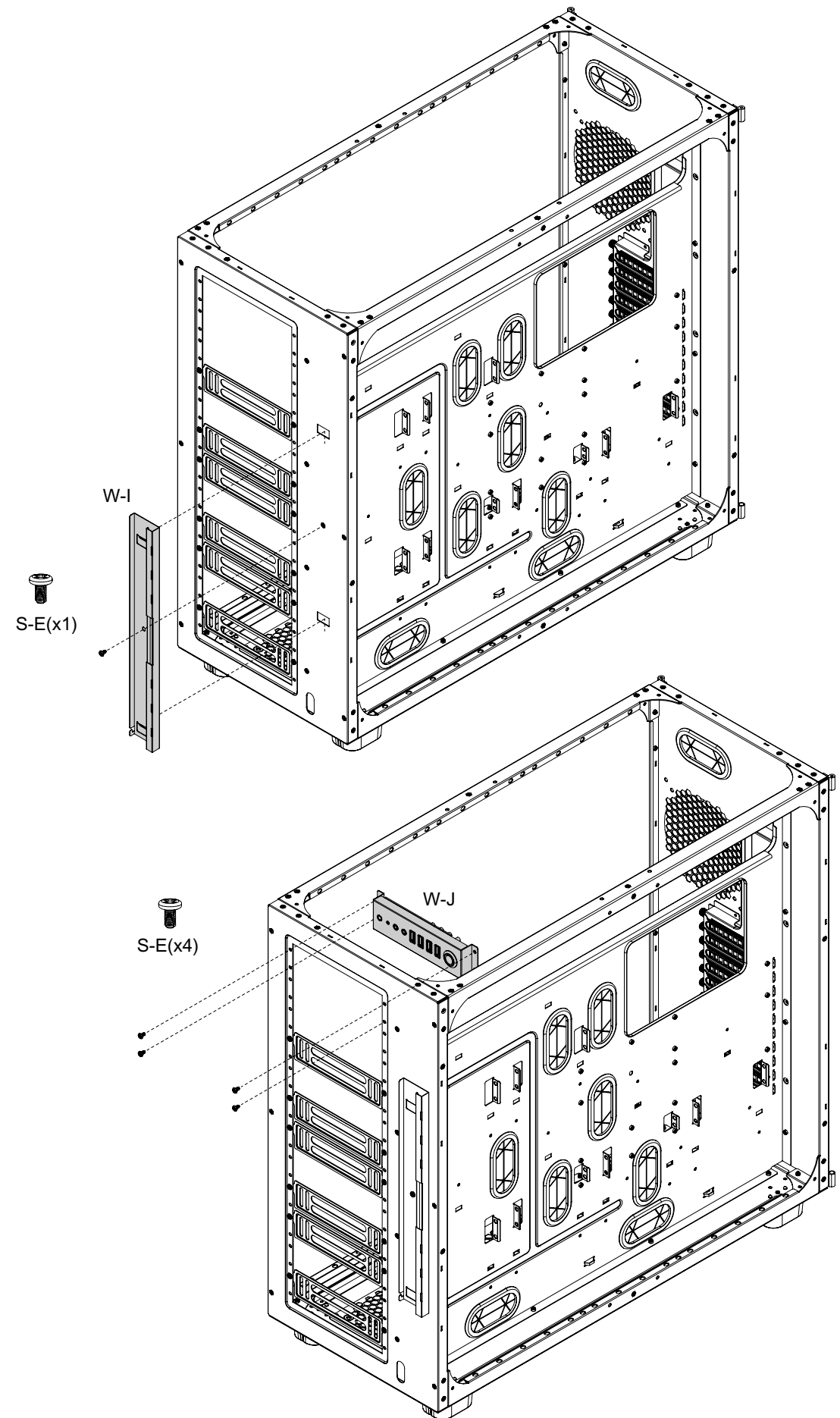
NO	Figure	Parts Name	Q'ty	Used for
S-A		Screw #6-32 x 6mm	60	For case body
S-B		Bezel bolt #6-32 x 3.5mm	12	For front & top plate
S-C		Screw #6-32 x 5mm	4	For side plate location
S-D		Screw #6-32 x 6mm	4	For PSU
S-E		Screw #6-32 x 6mm	46	For HDD/ODD cage/bracket/foot stand
S-F		Screw #6-32 x 28mm	12	For bottom 14 cm fan
S-G		Screw #6-32 x 10mm	16	For casters/stacking
S-H		Nut # 6-32	16	For casters/stacking
S-I		Stand-off #6-32 x 6.5mm	16	For motherboard
S-J		Nut setter	1	For stand-off
S-K		Screw M3 x 5mm	36	For motherboard, ODD
S-L		Screw M3 x 5mm	56	For 2.5"HDD/SSD
S-M		Screw Ø3.0 x 6mm	20	For plastic parts
S-N		Thumb Screw #6-32 x 6mm	20	For Rad bkt
S-O		Nut setter	1	For bezel bolt
O-A		Bezel bolt holder	2	For bezel or top plate
O-B		Cable ties	20	Cable management
O-C		PSU stand	4	For PSU
O-D		Foot stand	4	For bottom plate
O-E		Buzzer	1	Motherboard alarm
O-F		Casters	4	For bottom plate
O-G		Guide piece	2	For side panel
PS-B		HDD tray lock	6	For HDD tray
PS-C		HDD tray holder	12	For HDD tray
PS-D		HDD tray	6+4	For 3.5"HDD/2.5"HDD/SSD
W-N		ODD bracket	6	For ODD
W-S		Slot chip	10	For back panel
		Parts box	1	For screw

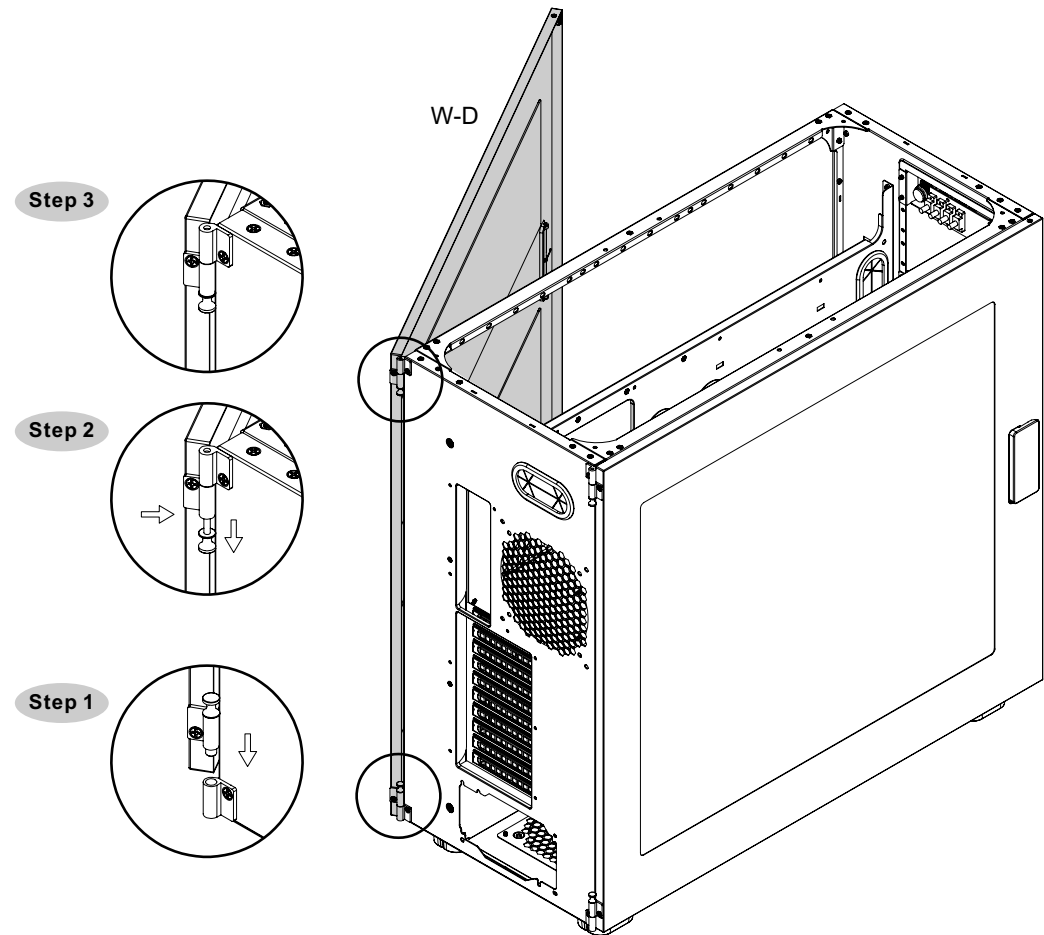
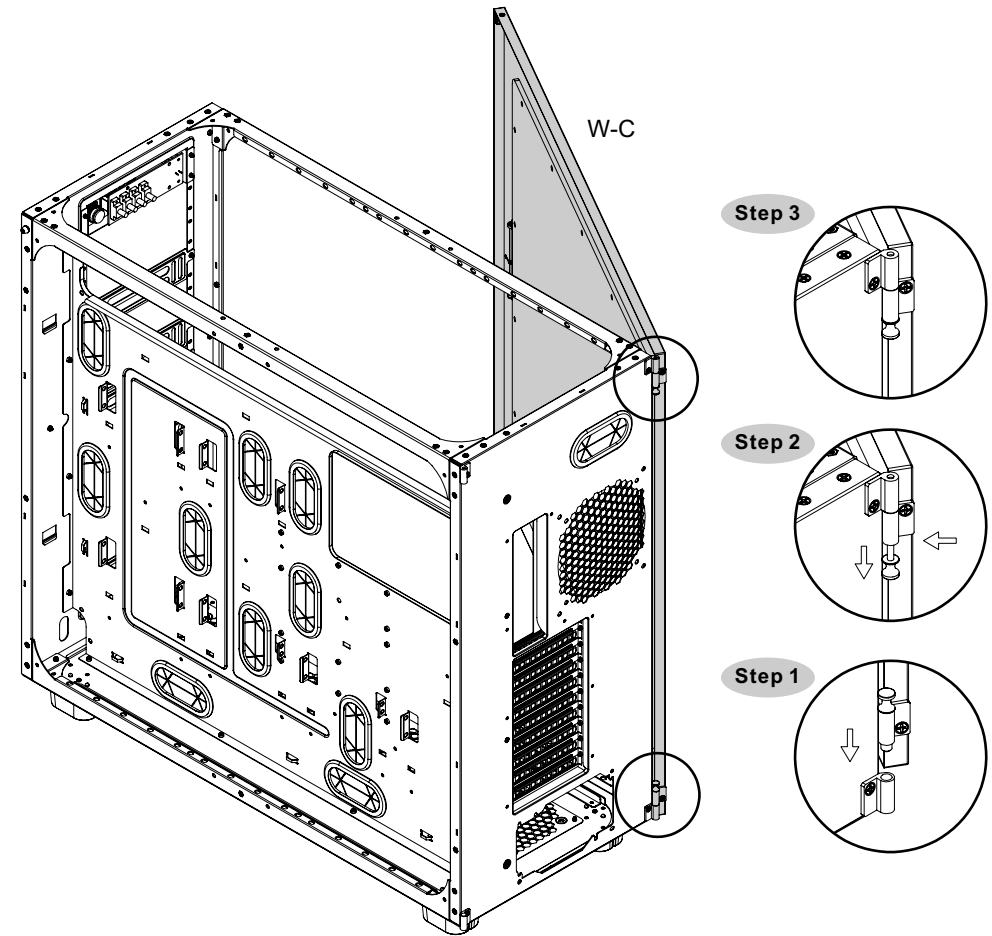
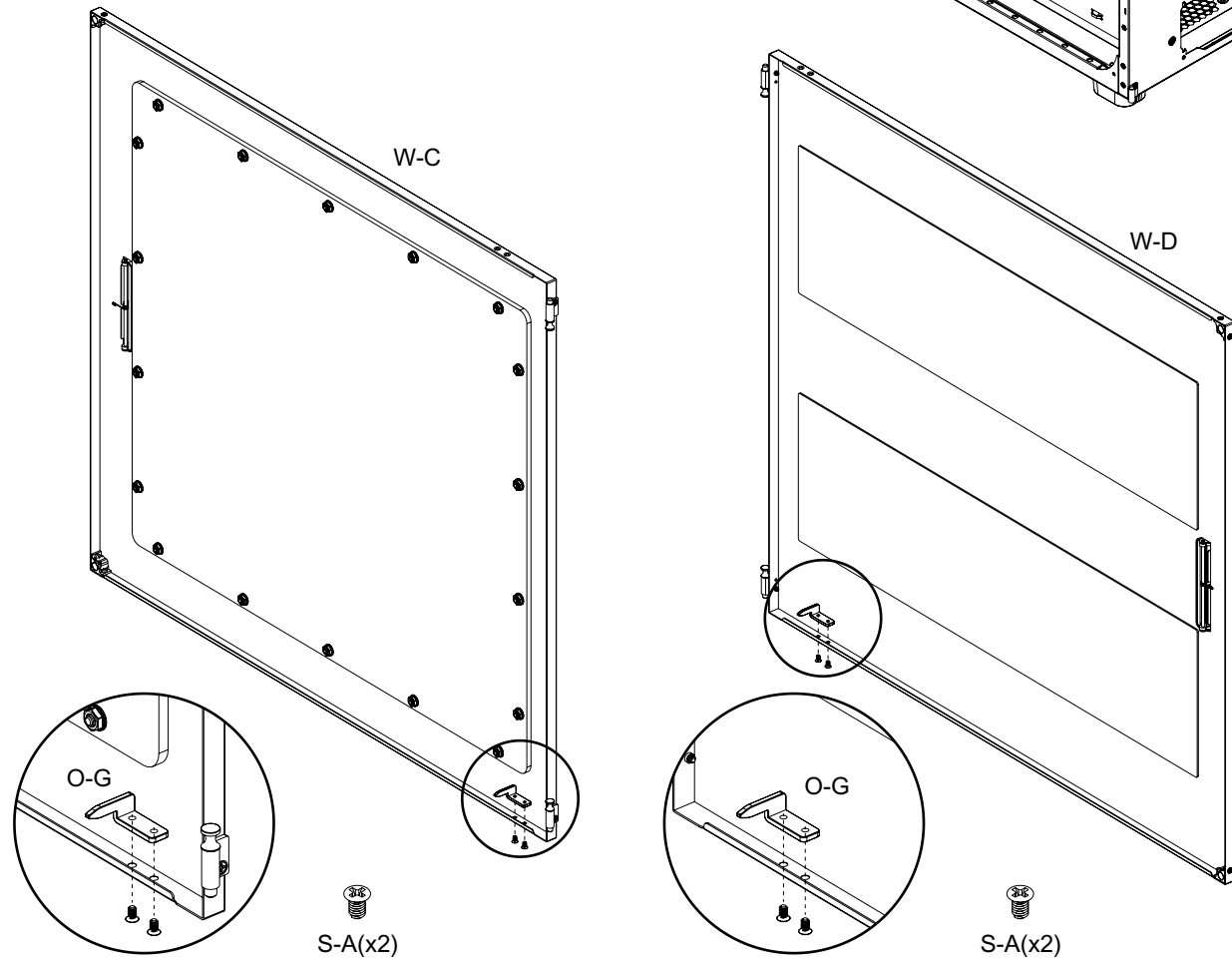
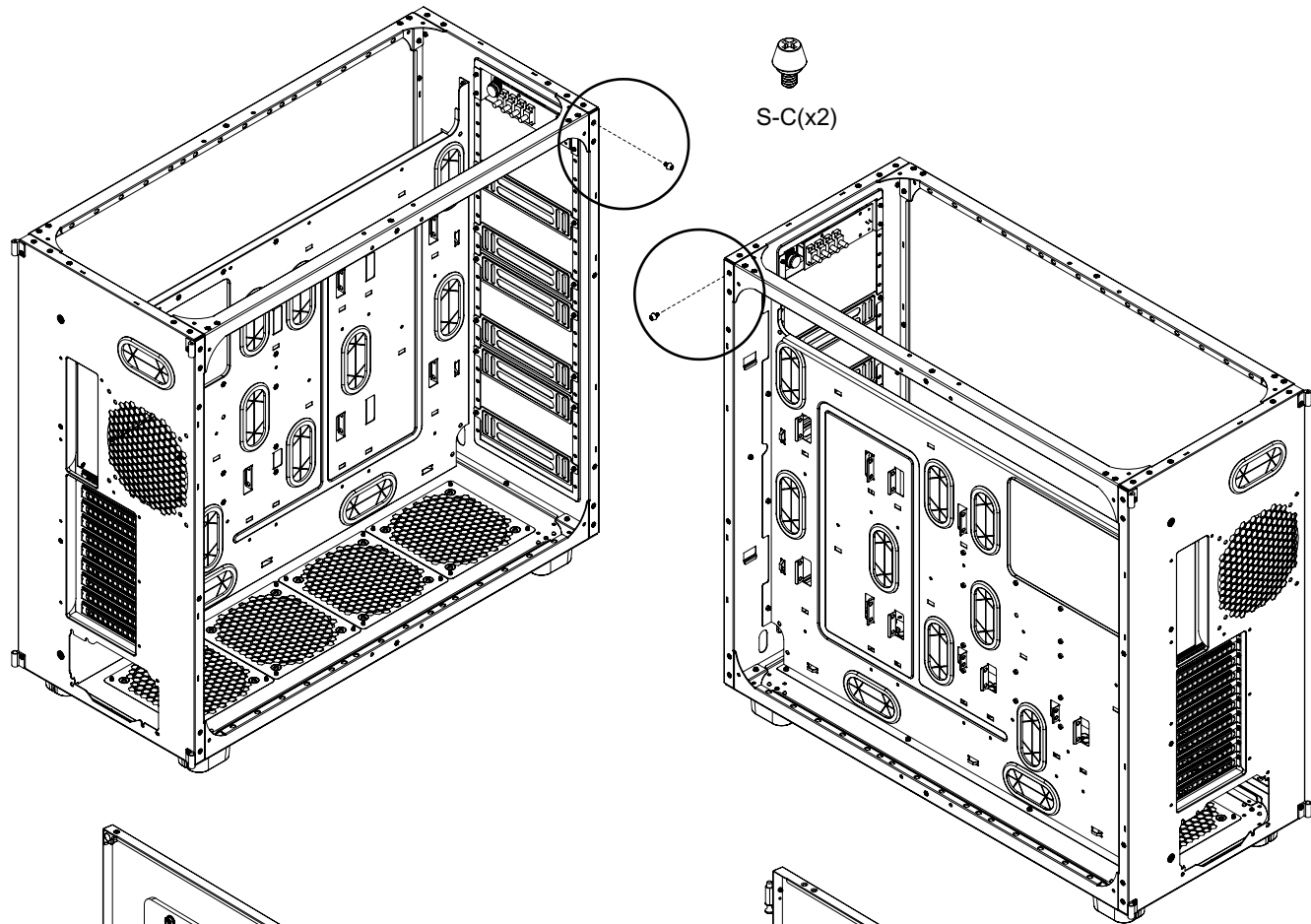


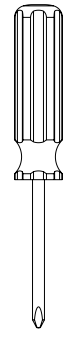




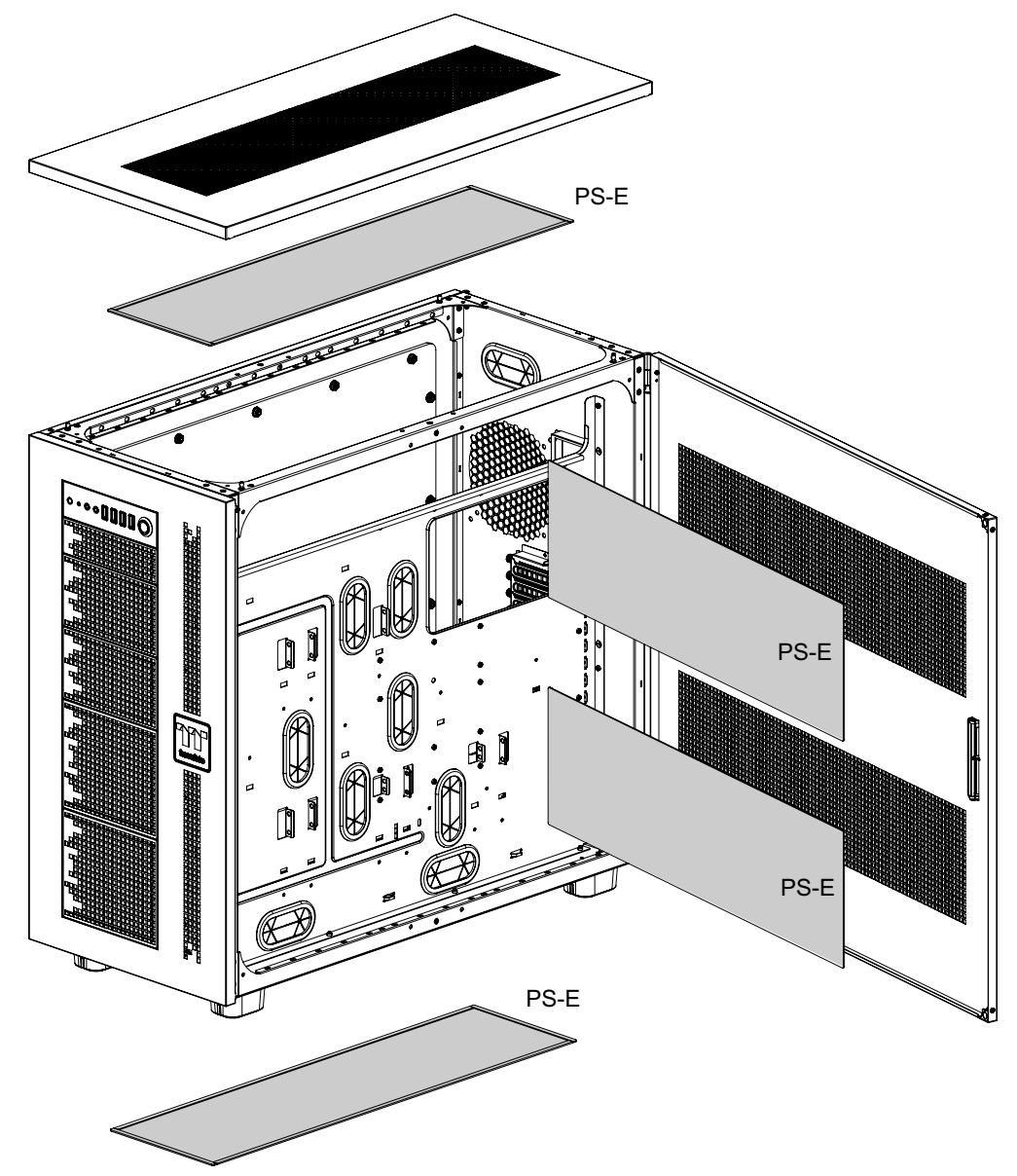
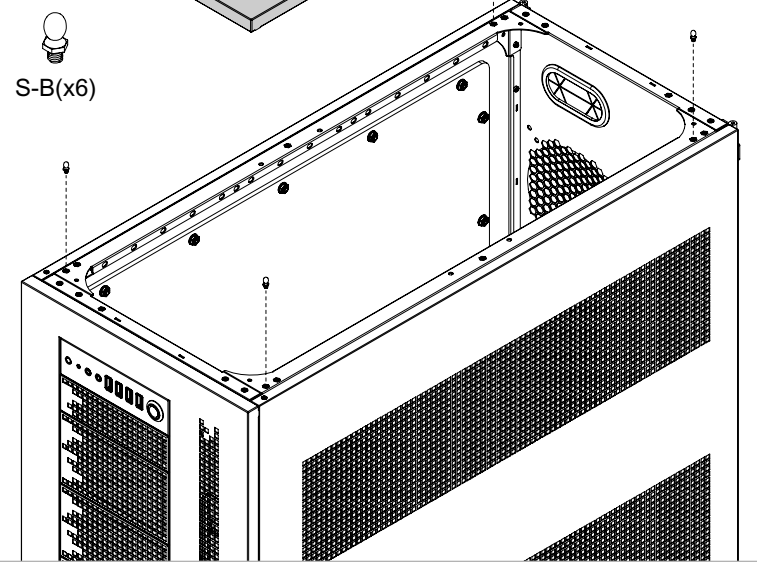
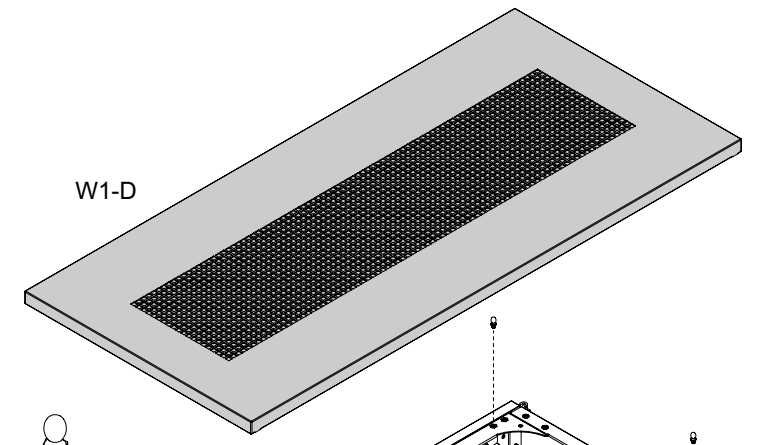
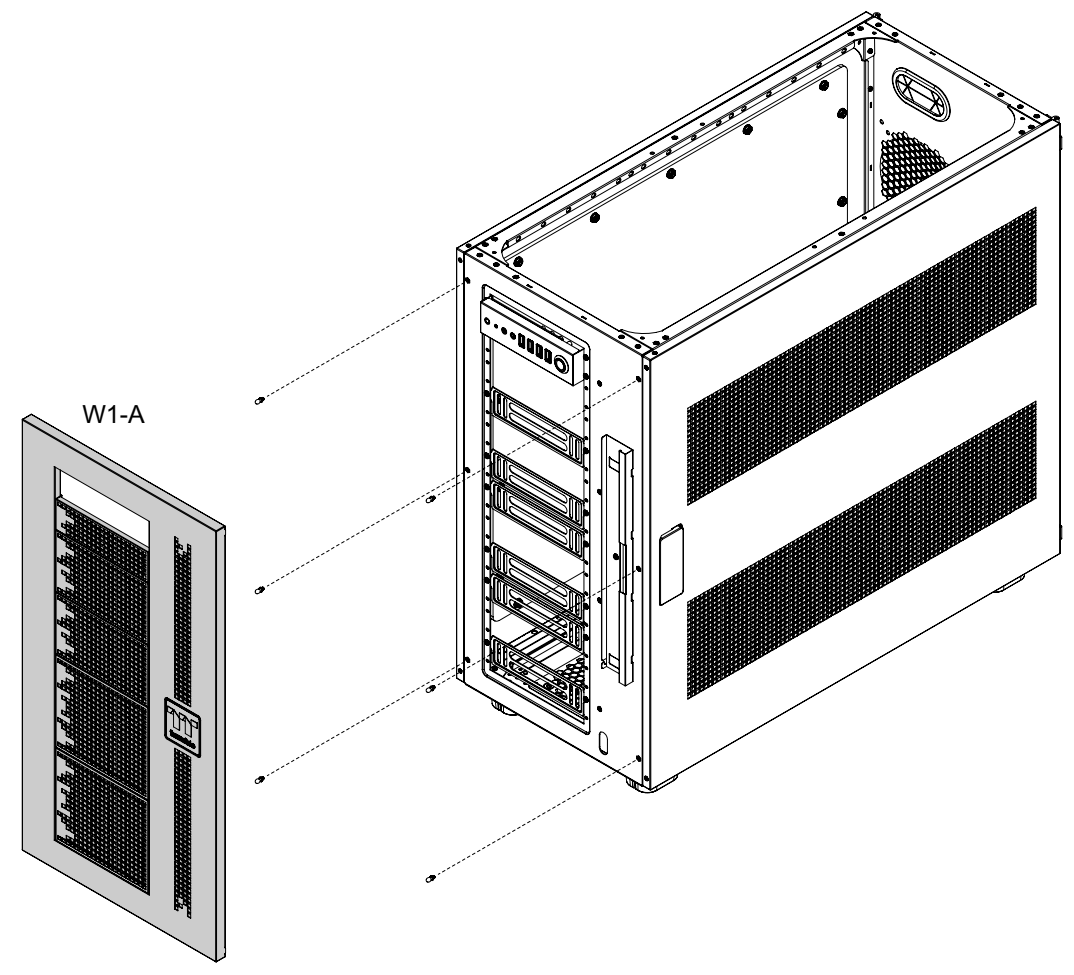
OR



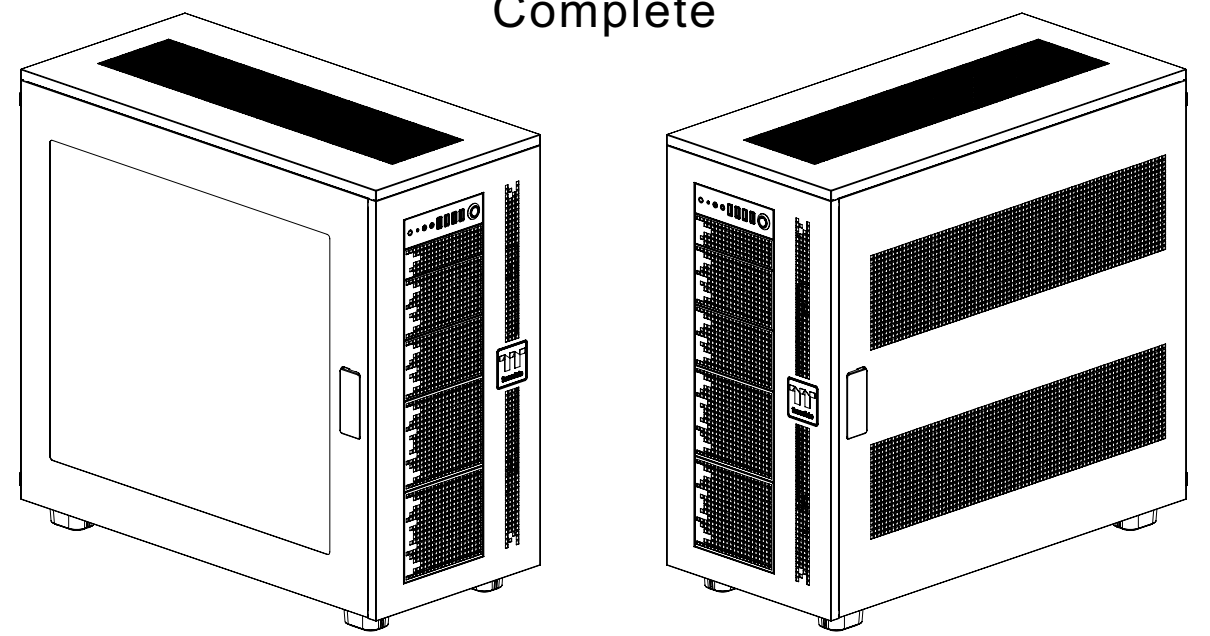


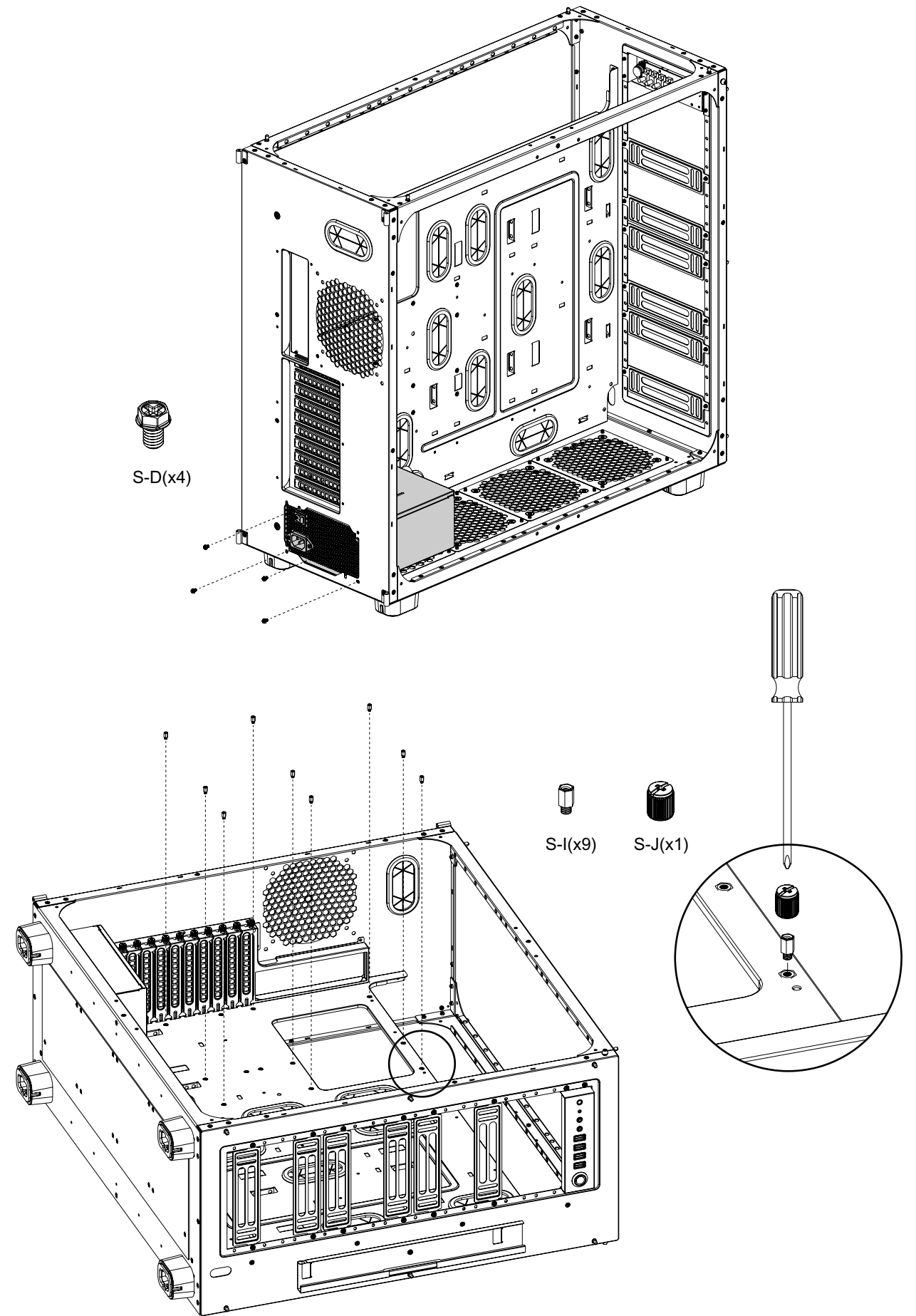
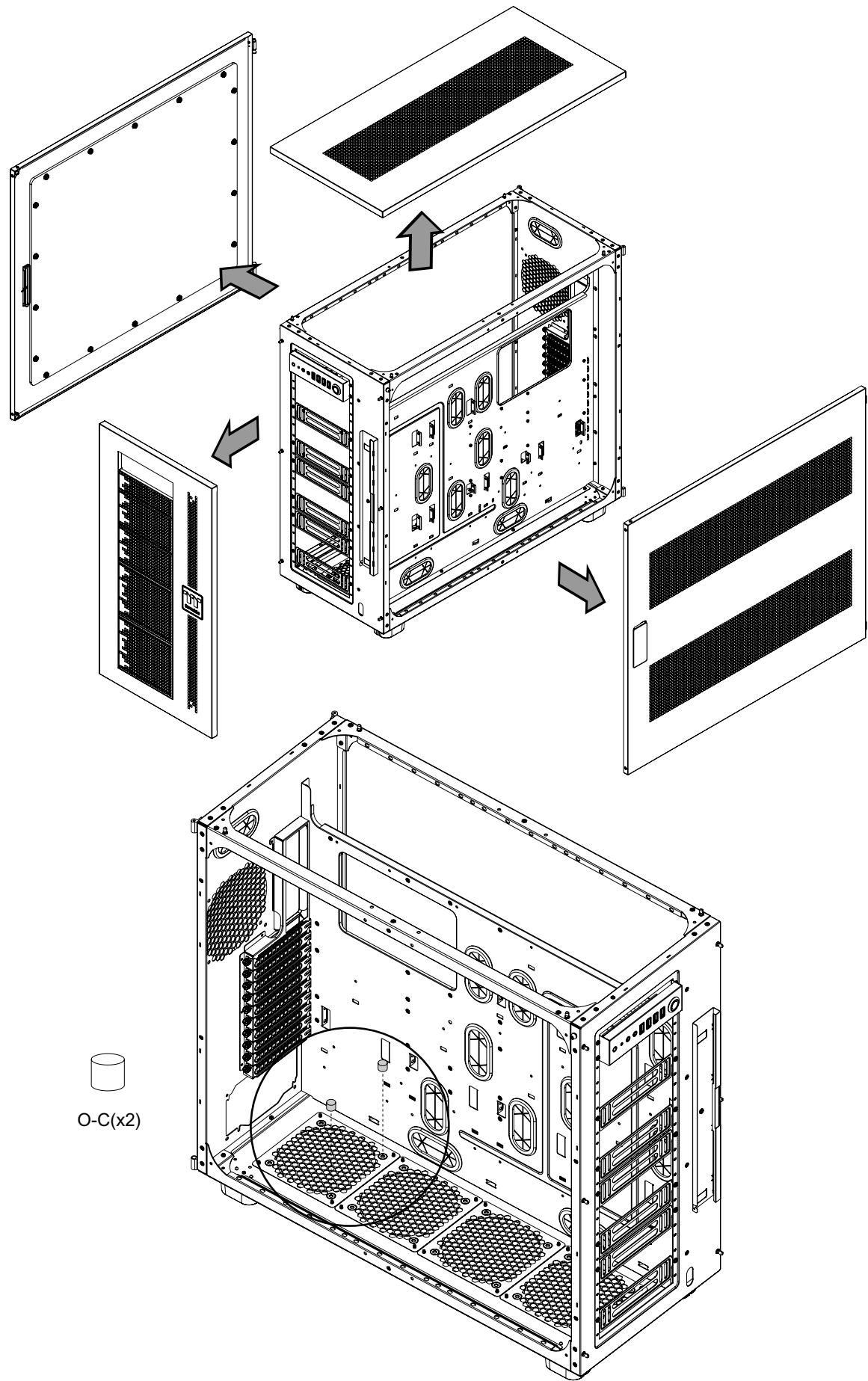


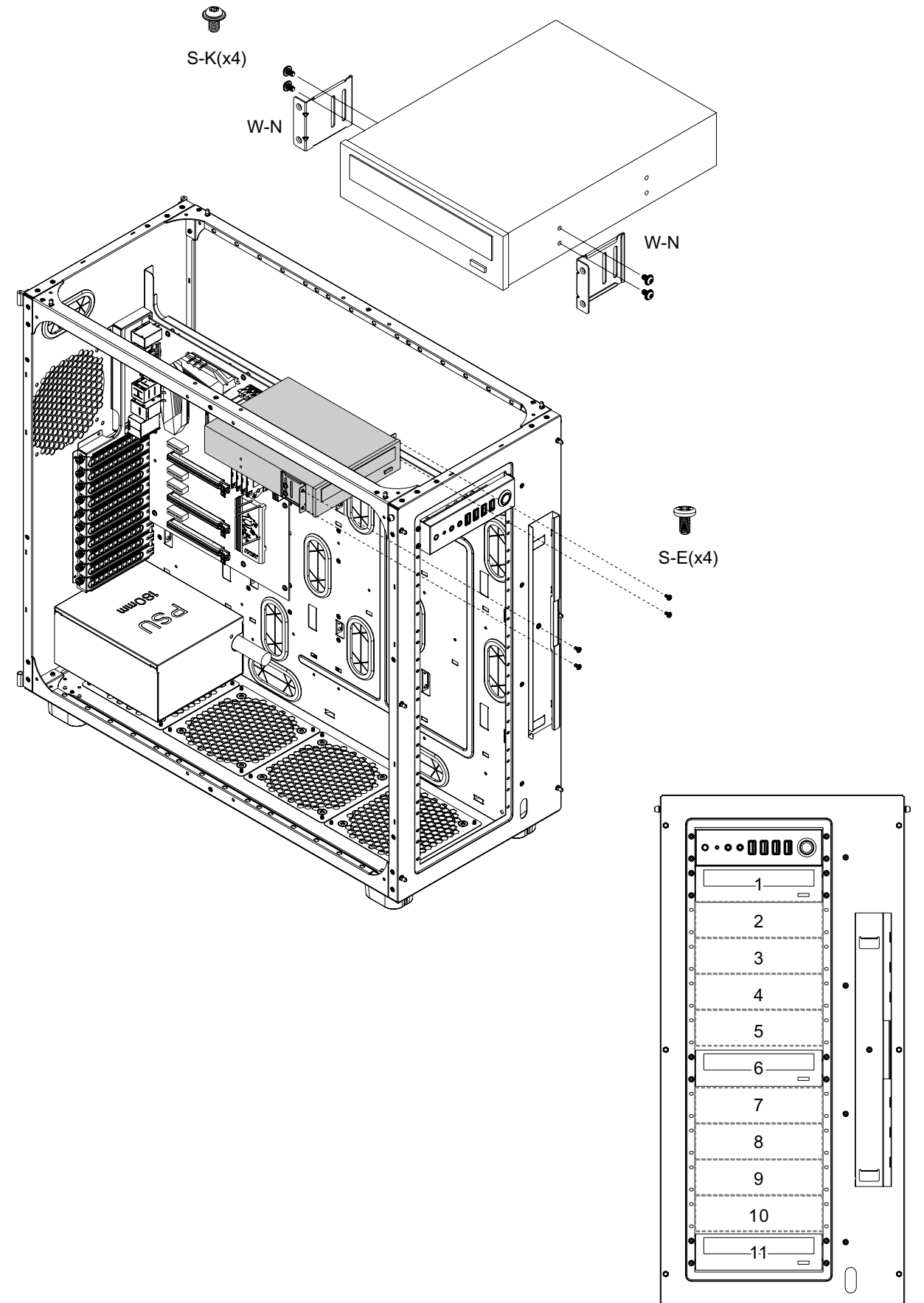
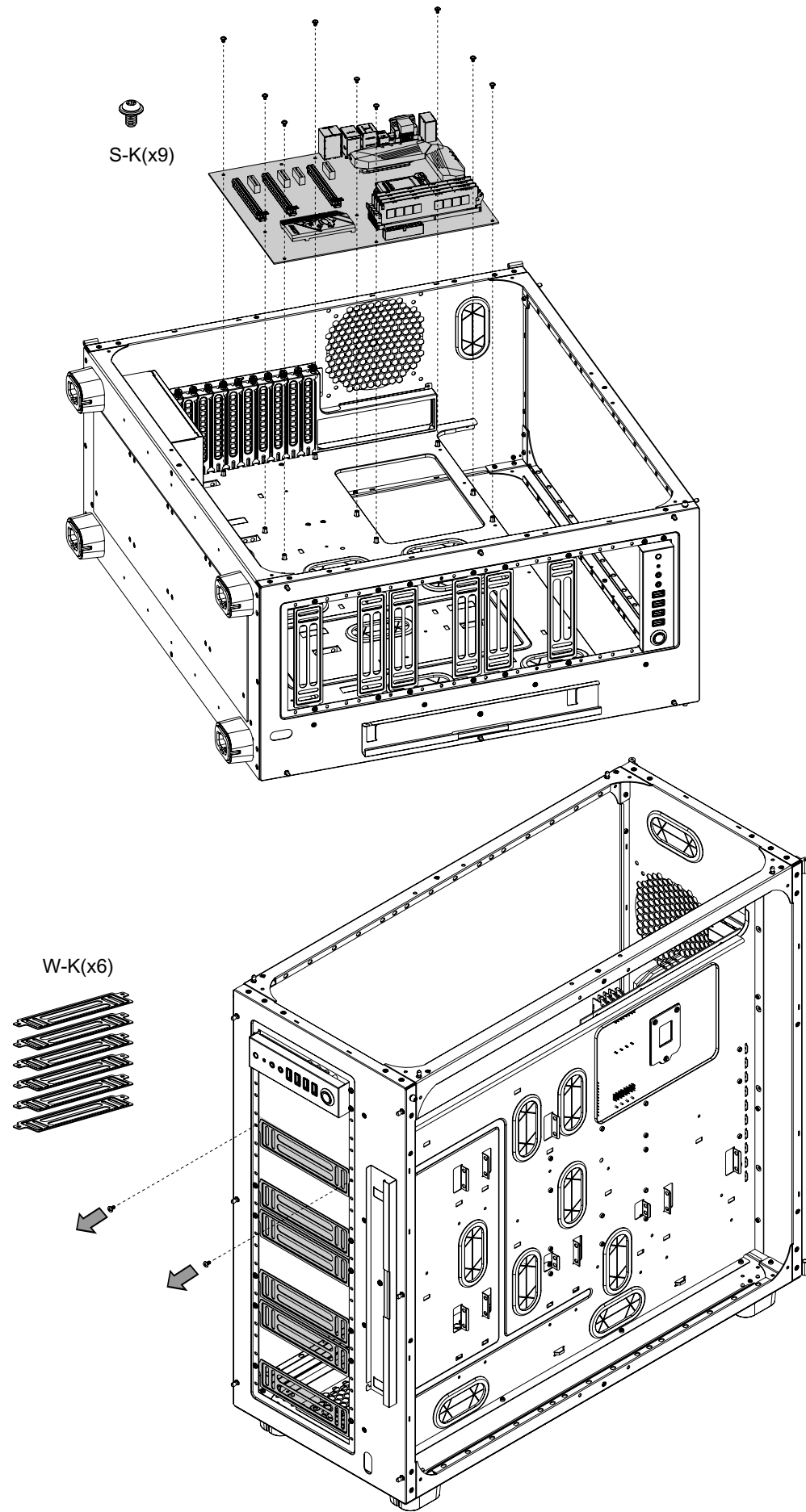
- S-O(x1)
- S-B(x6)

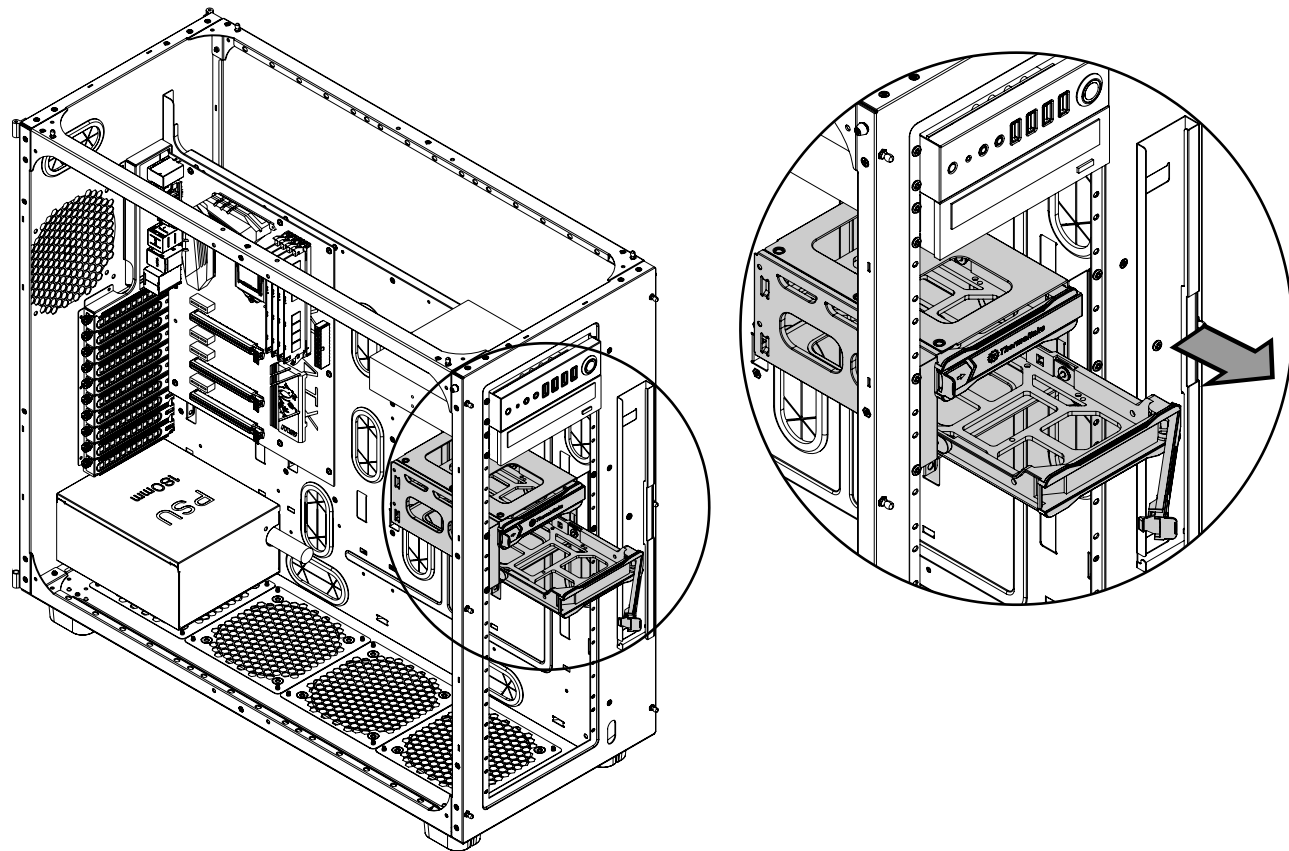
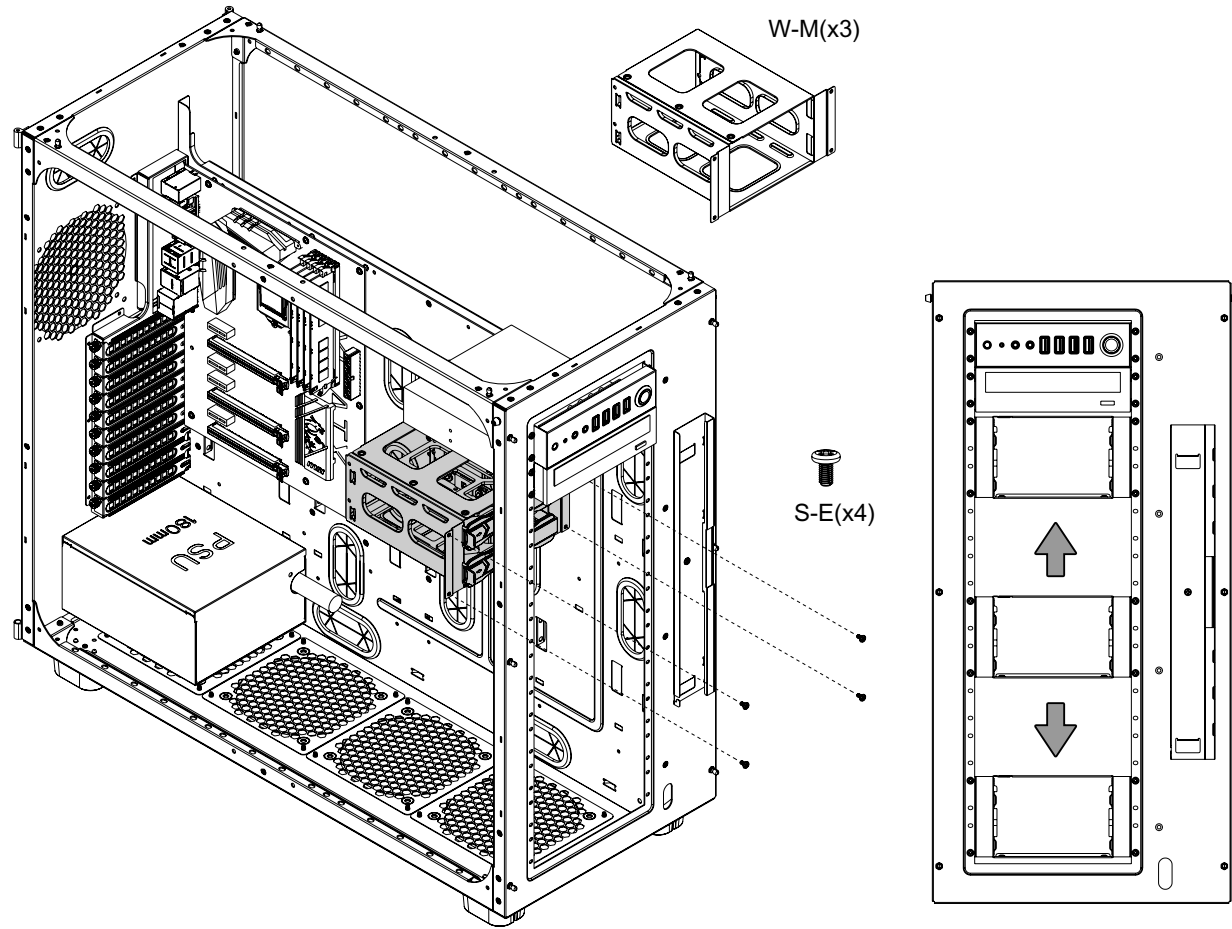


Complete

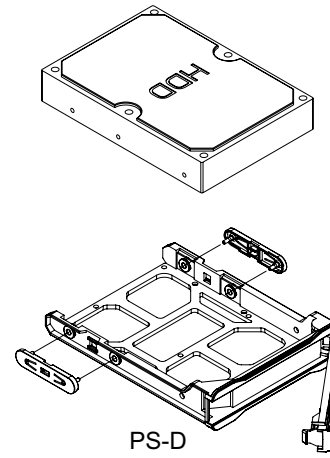




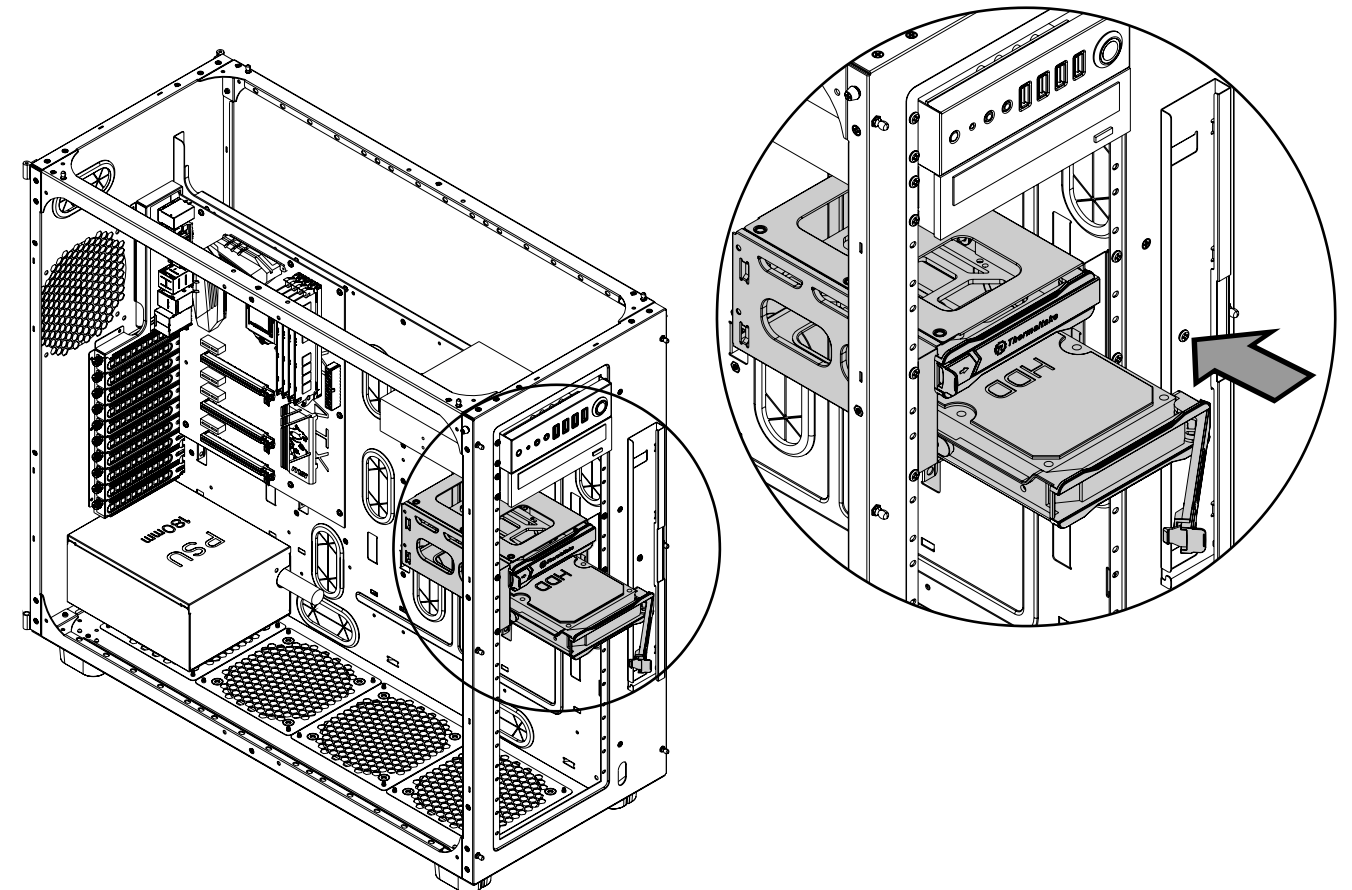
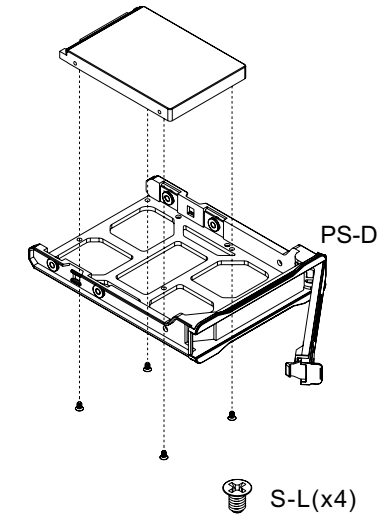


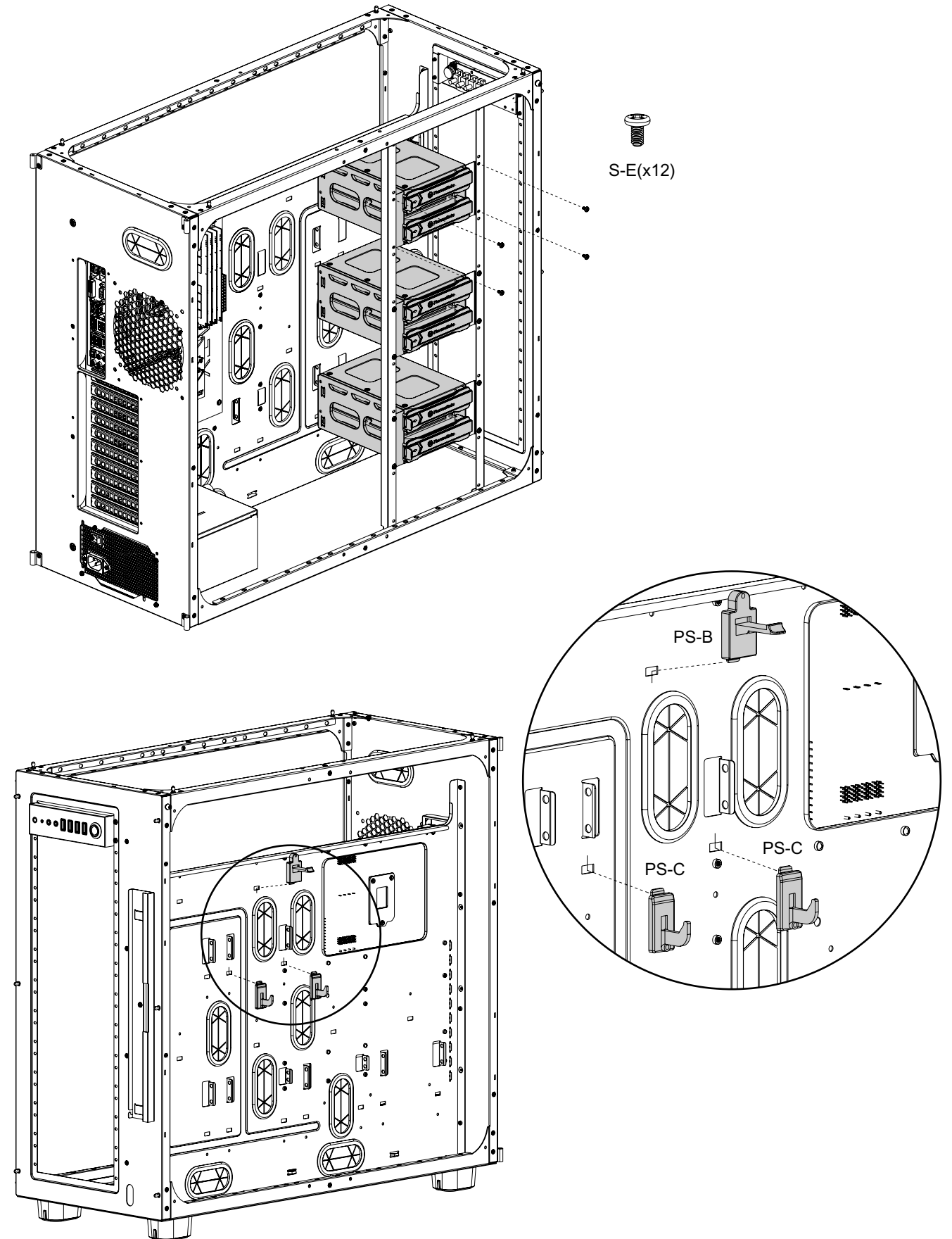
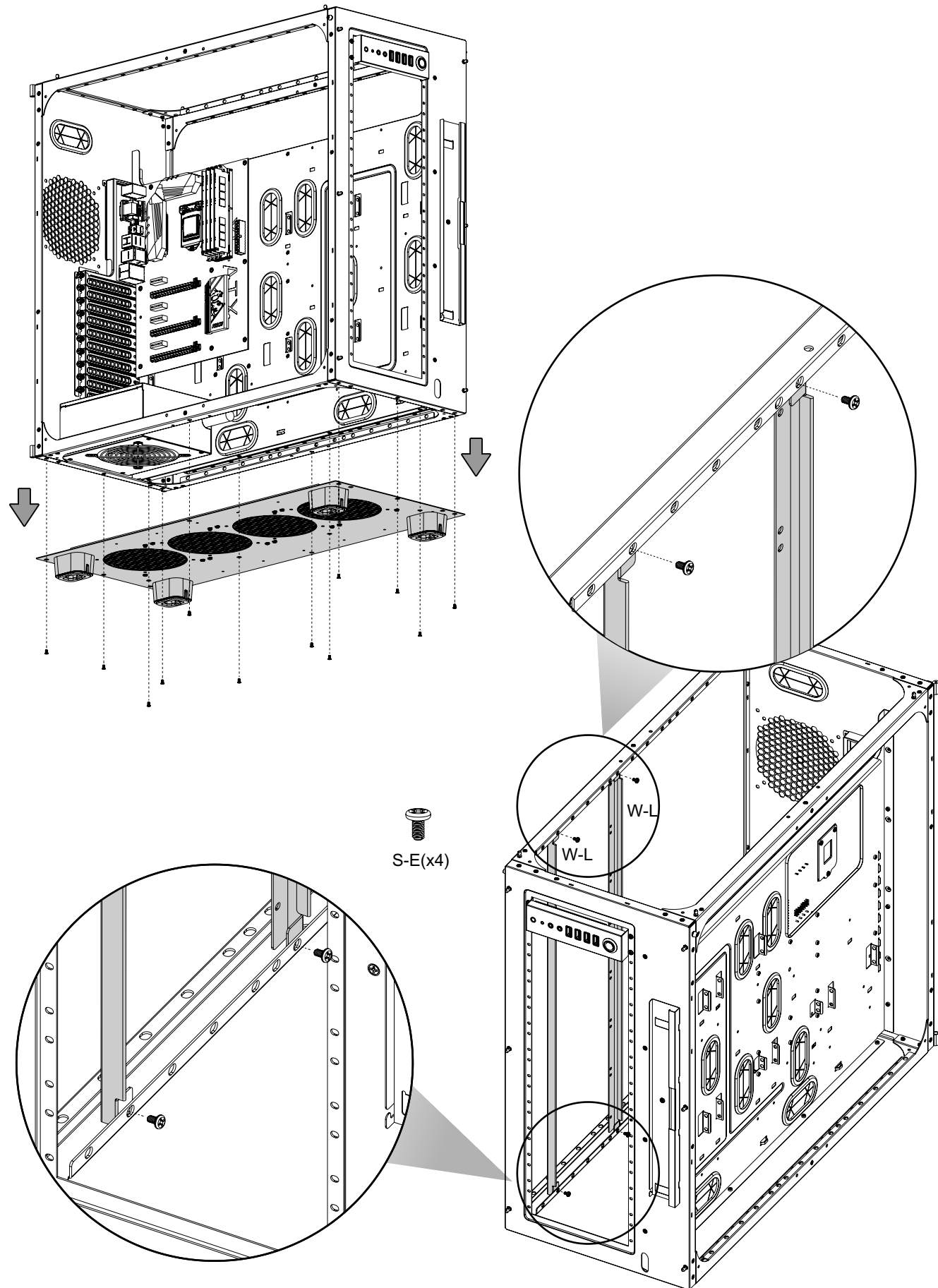


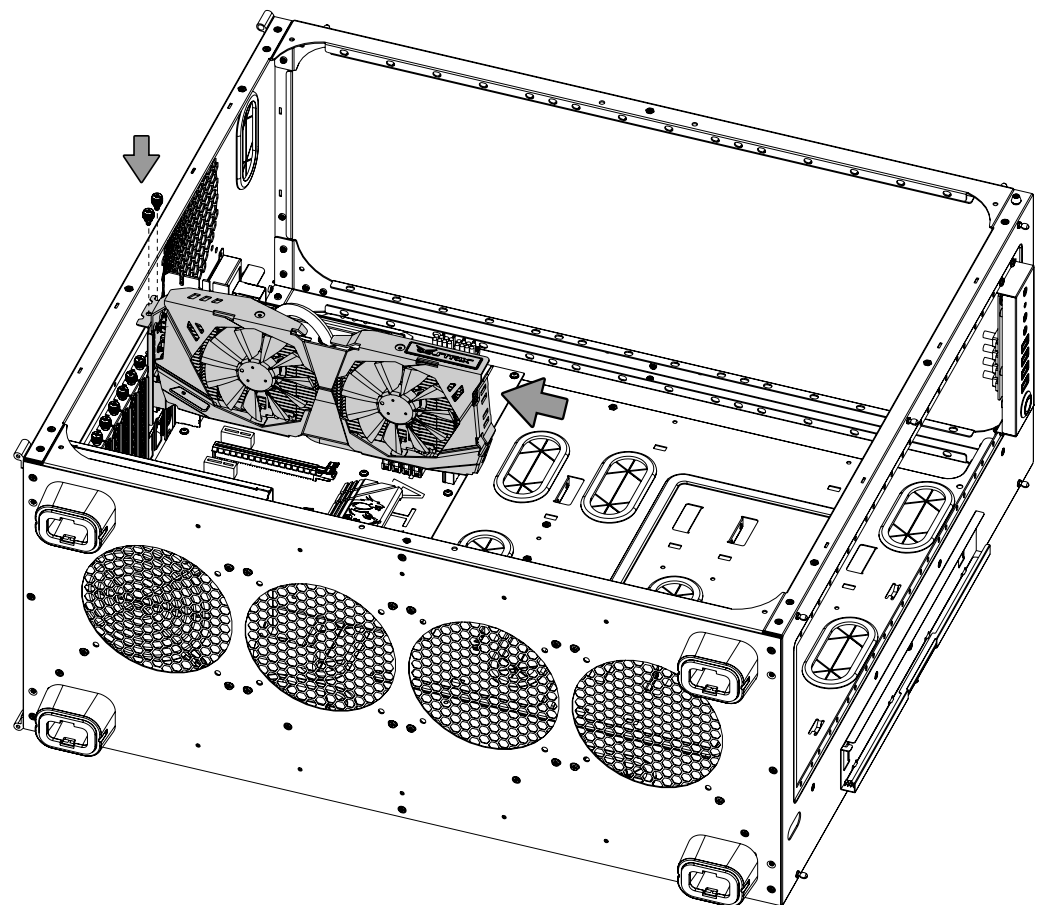
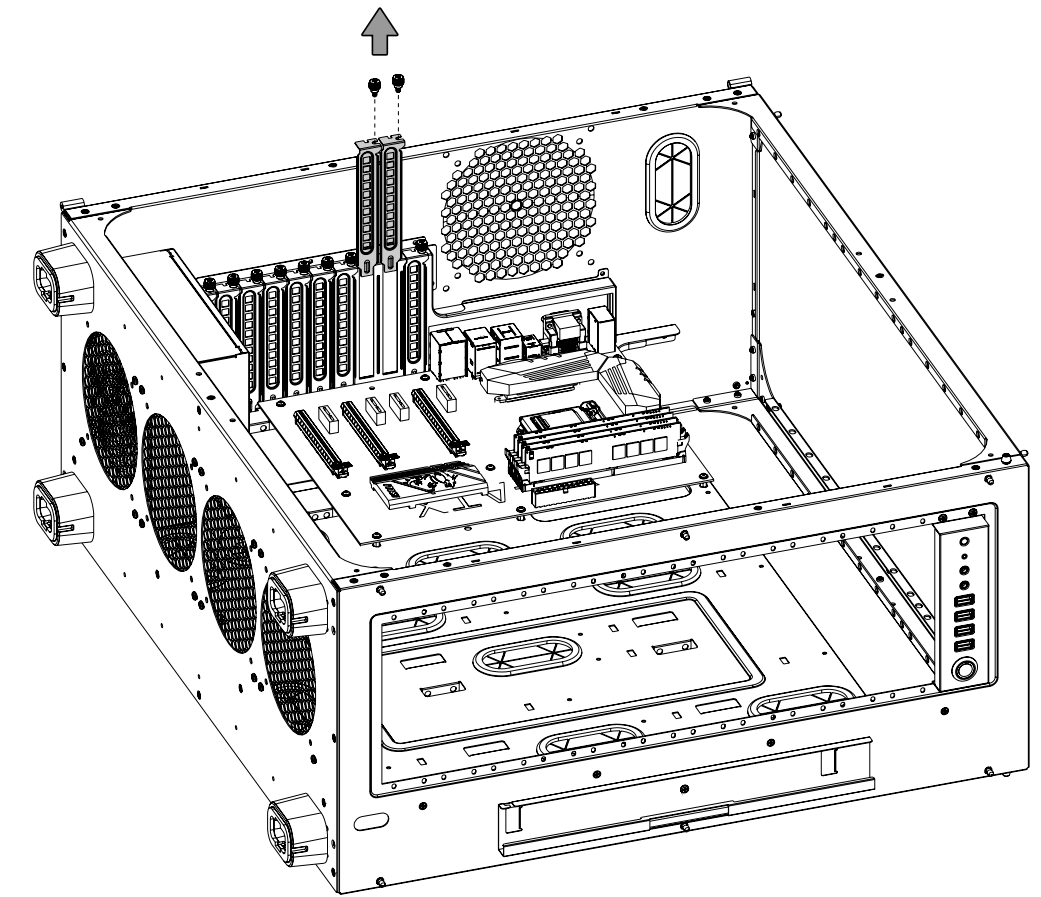
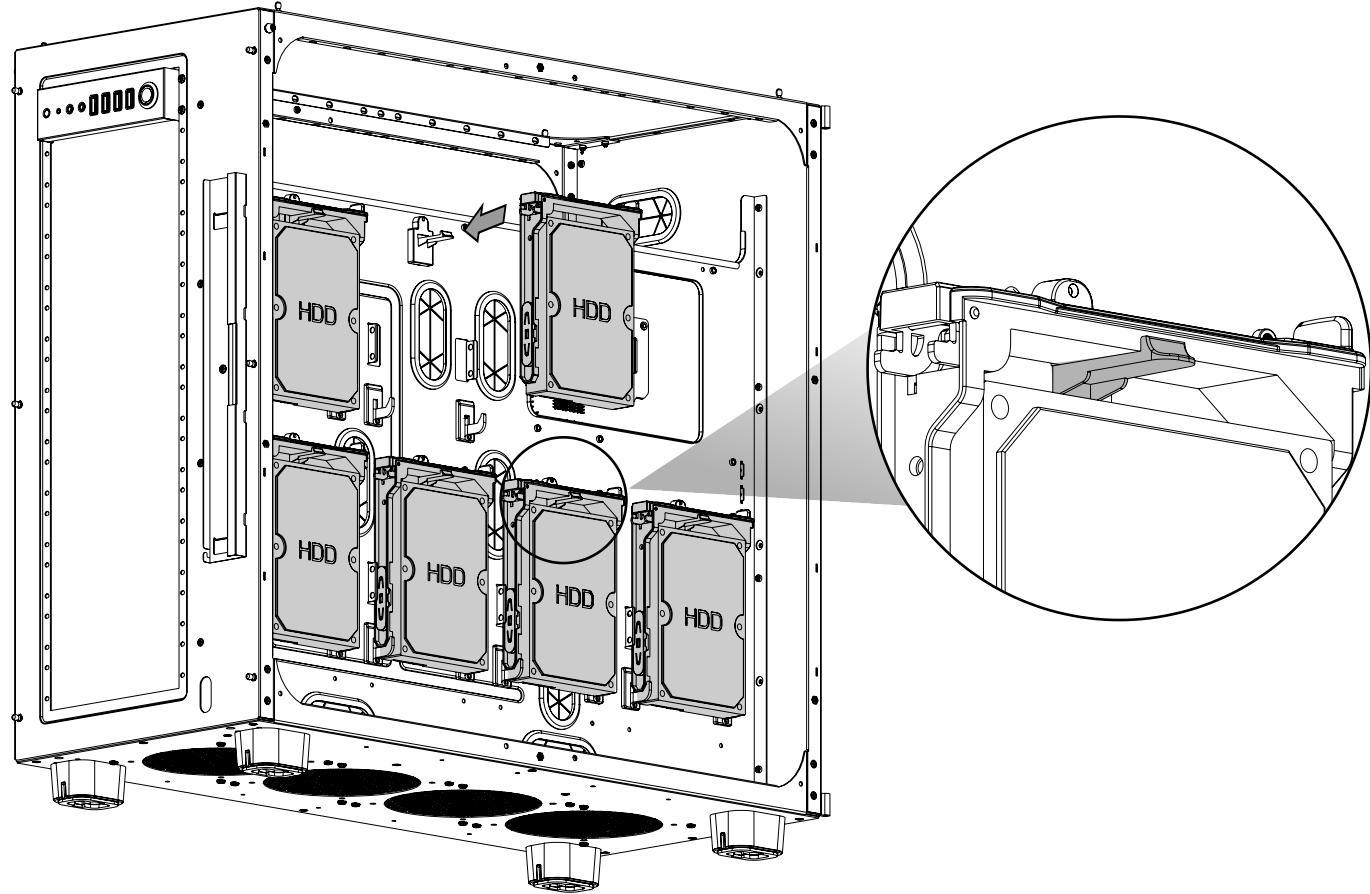
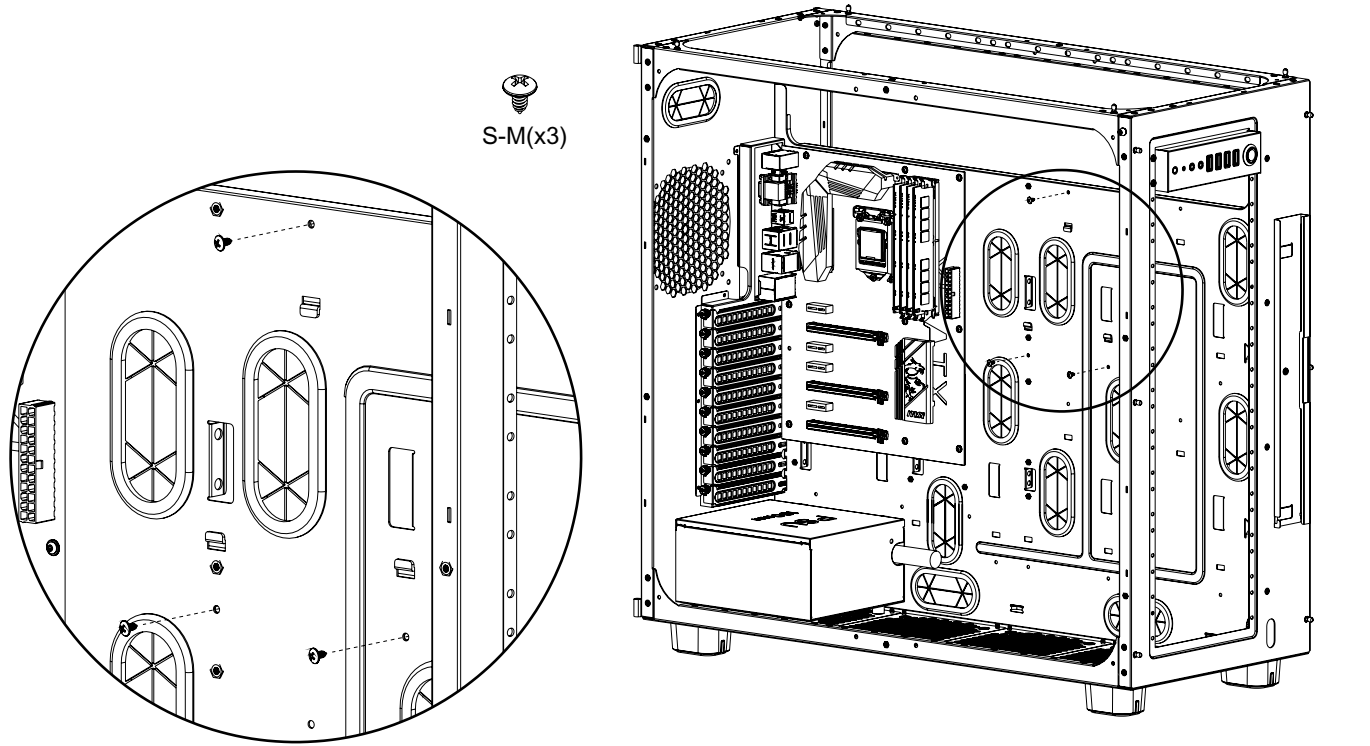
3.5" HDD



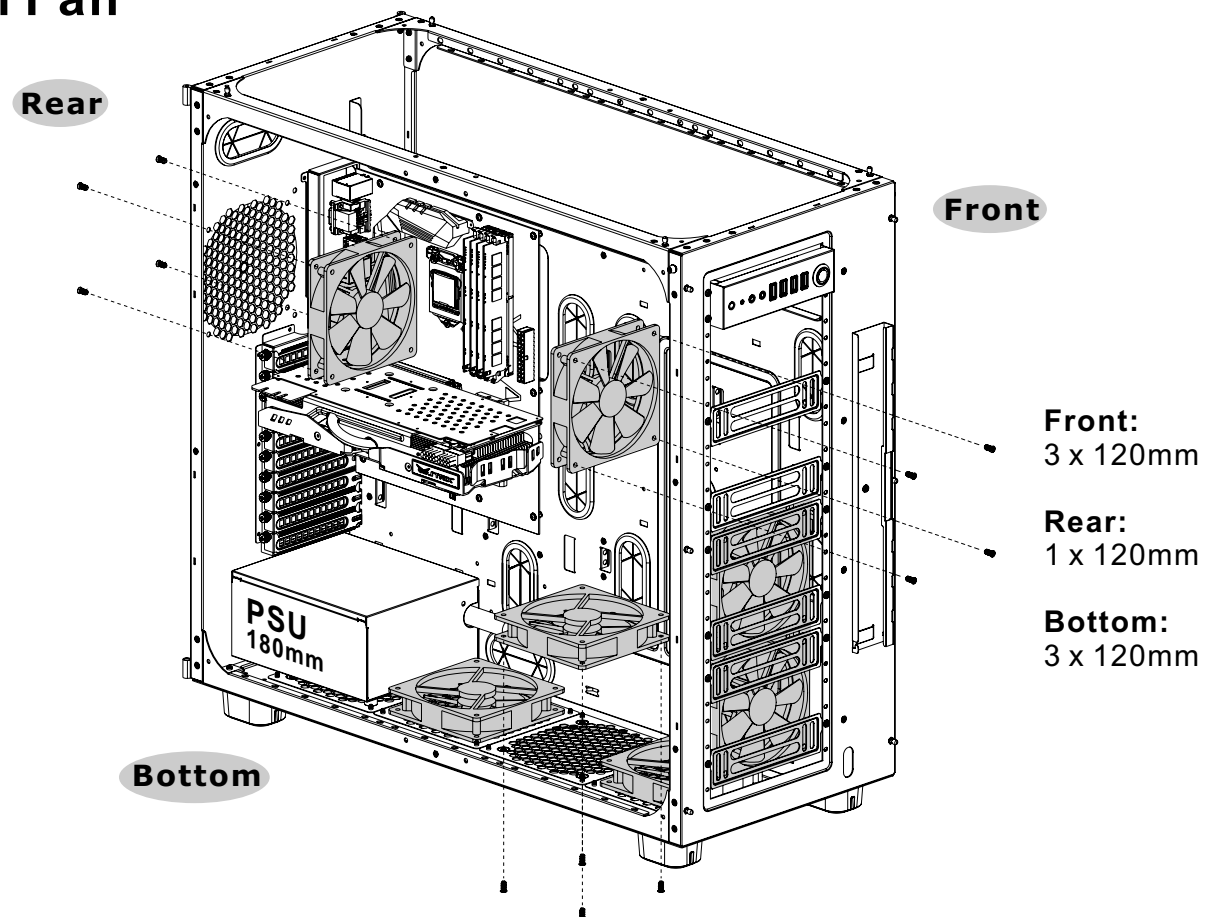
2.5" HDD/SSD



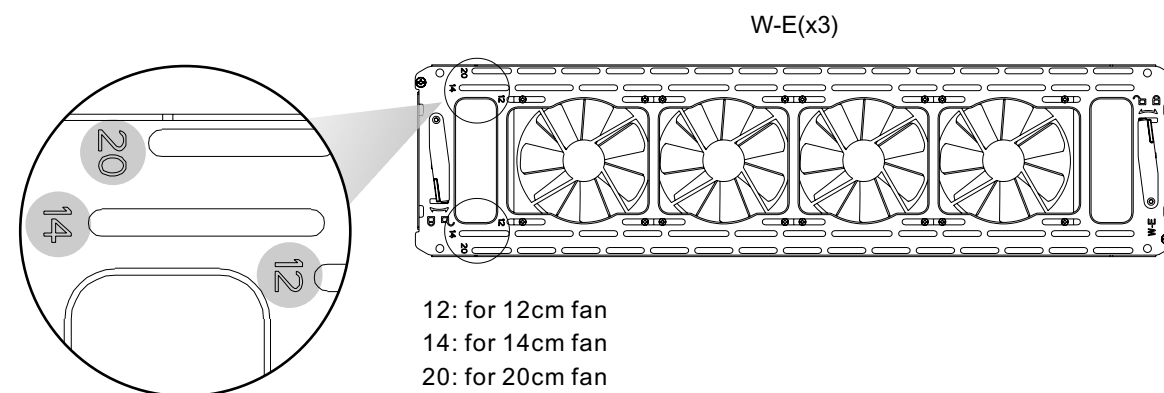
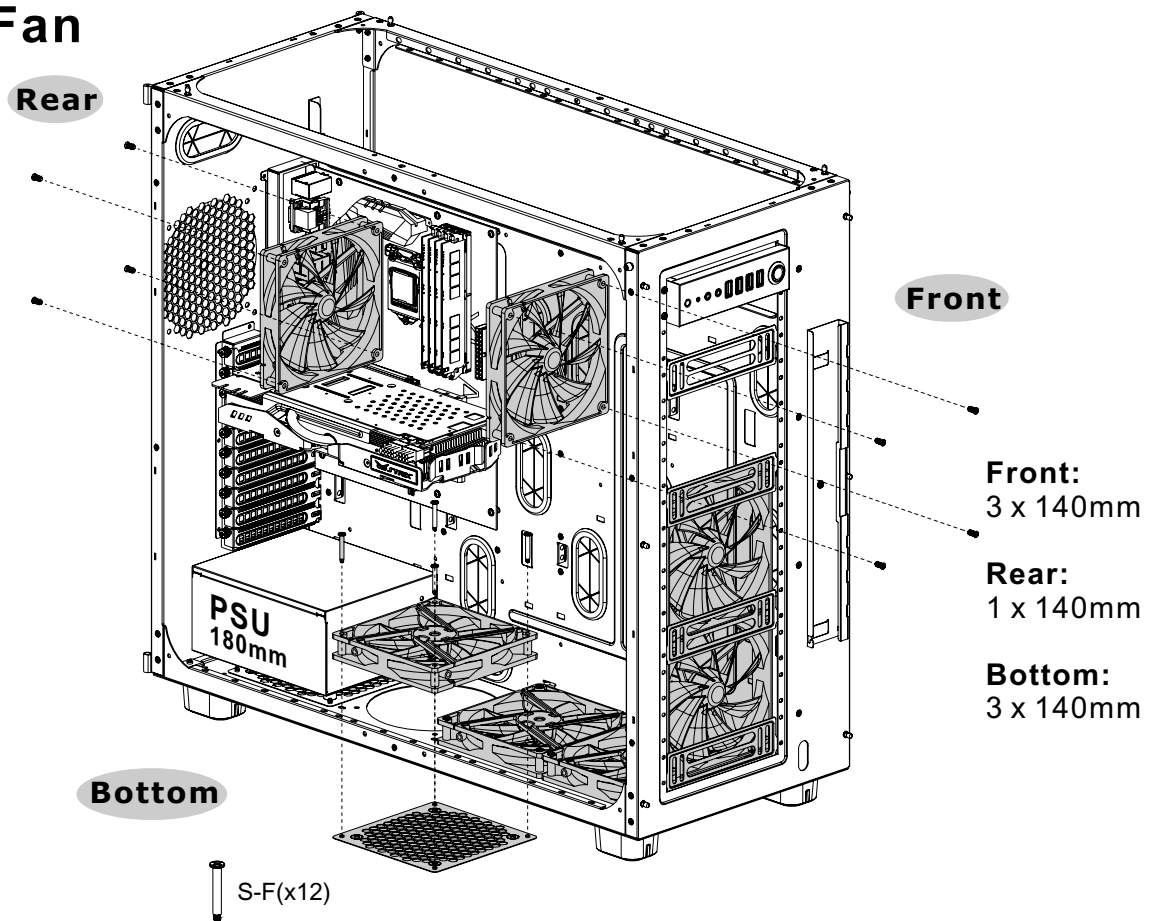




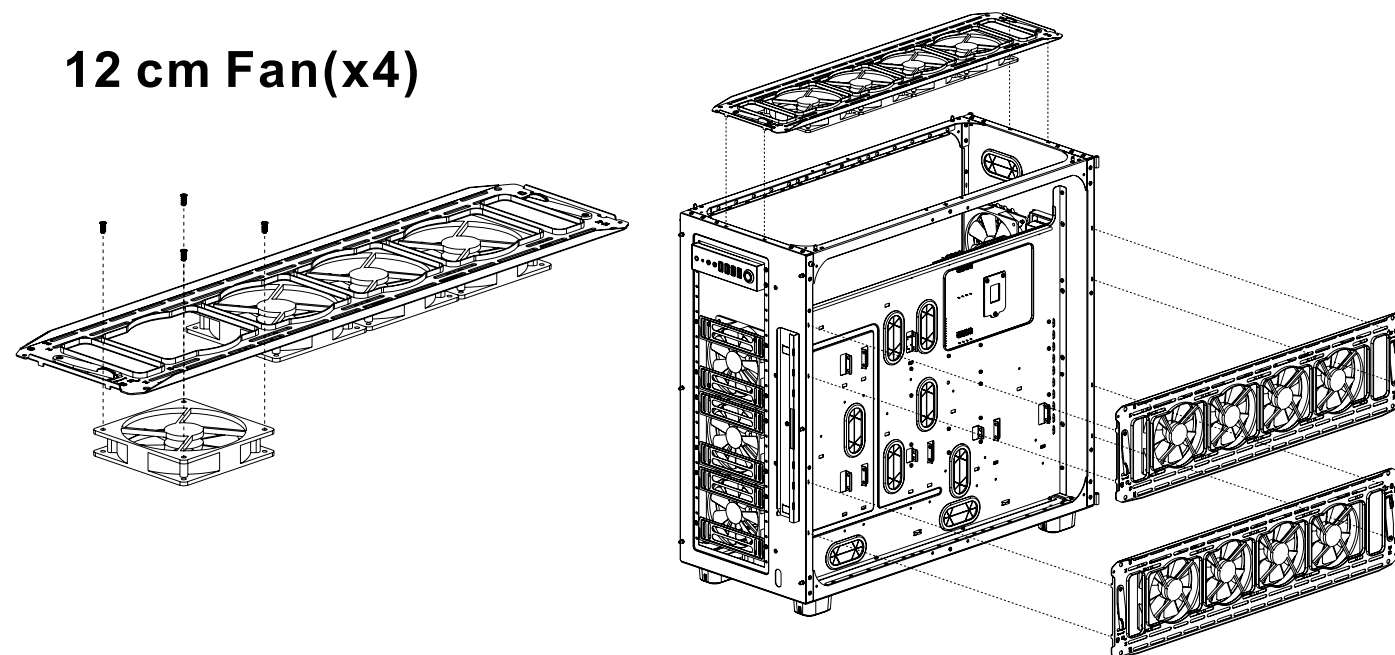
12 cm Fan



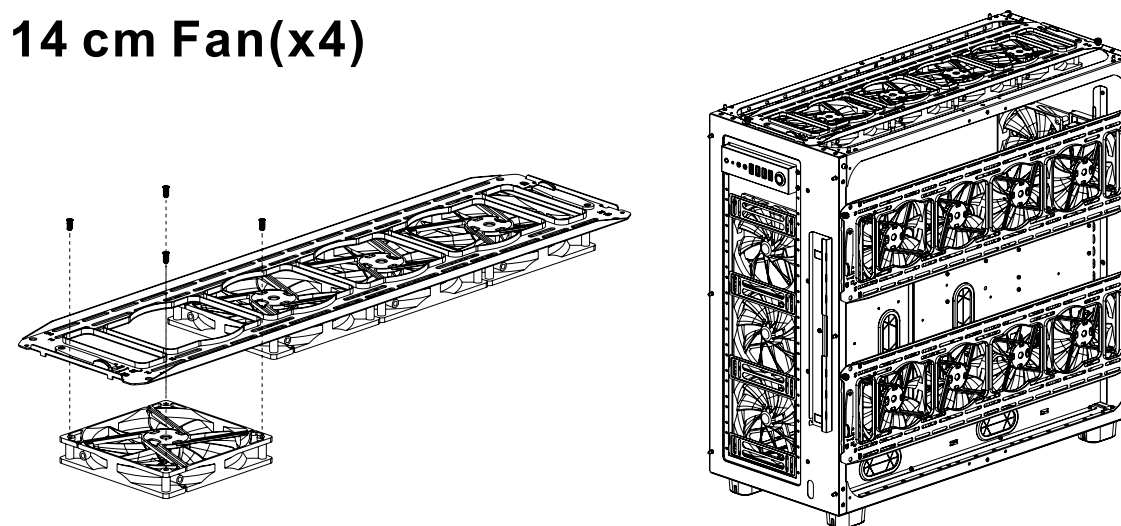
14 cm Fan



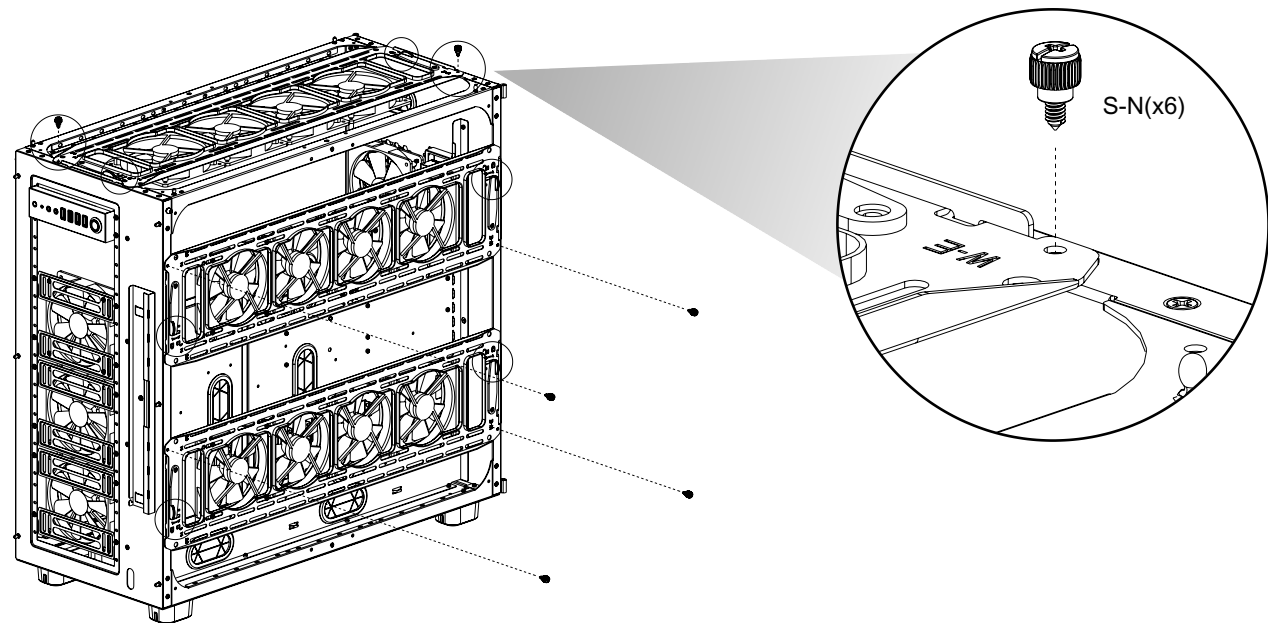
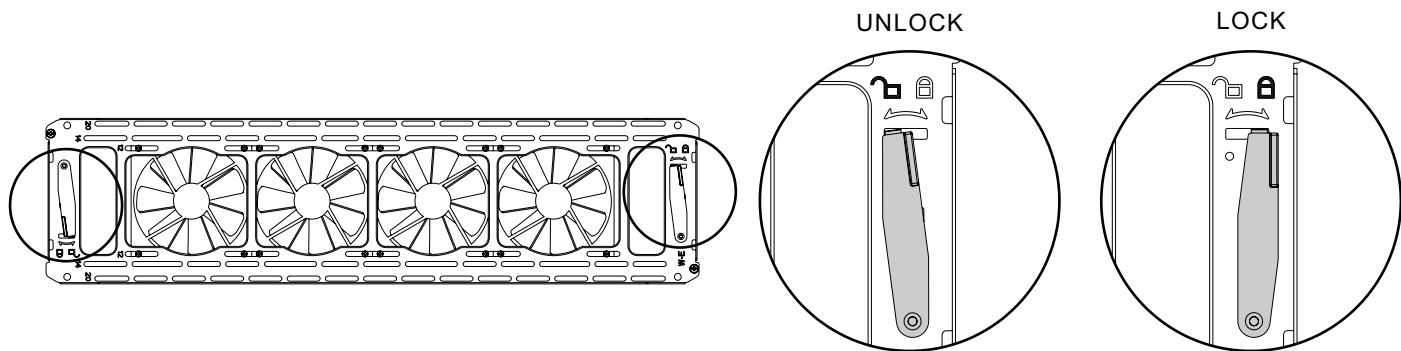
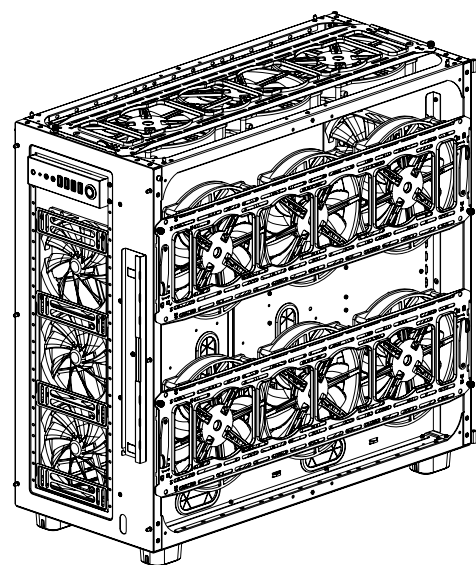
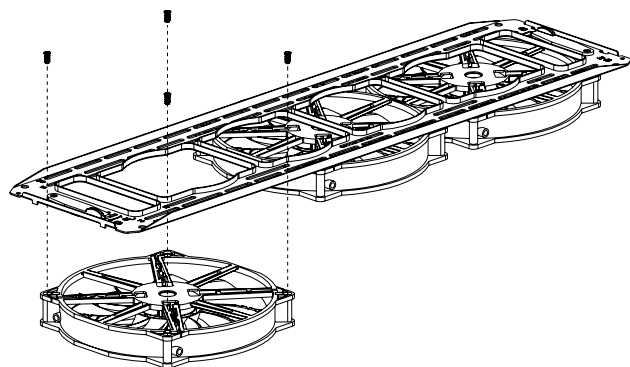
12 cm Fan(x4)



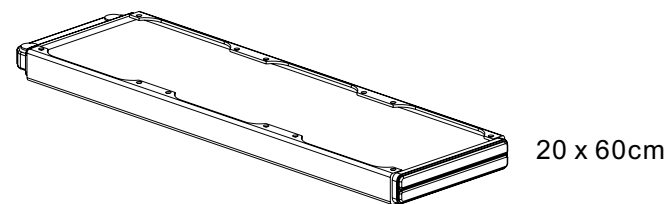
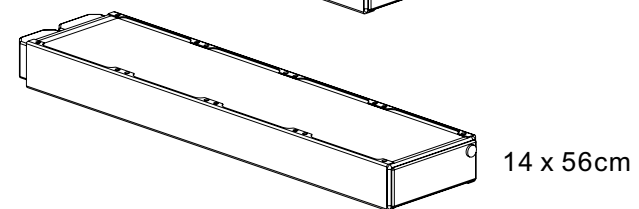
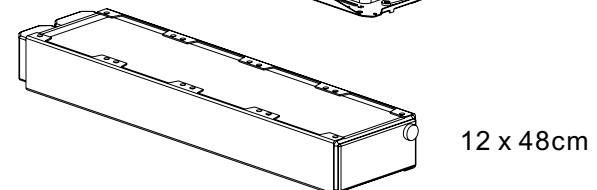
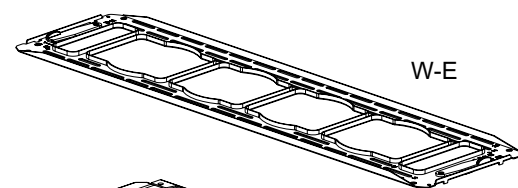
14 cm Fan(x4)



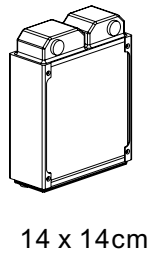
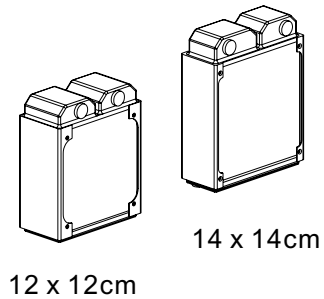
20 cm Fan(x3)



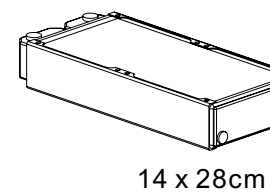
Top



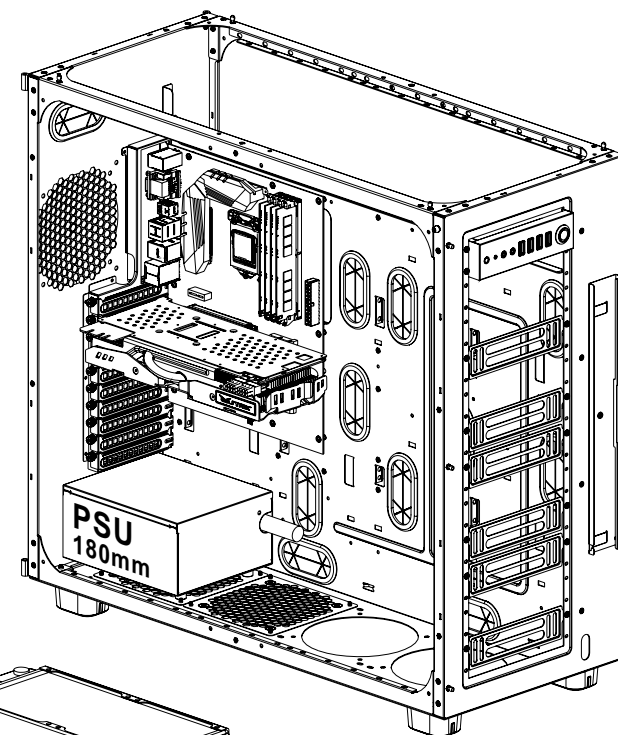
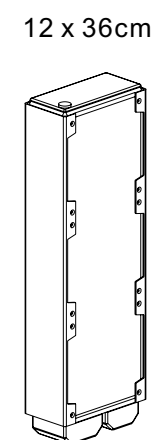
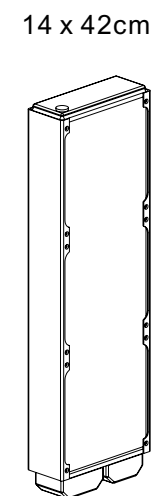
Rear



Bottom

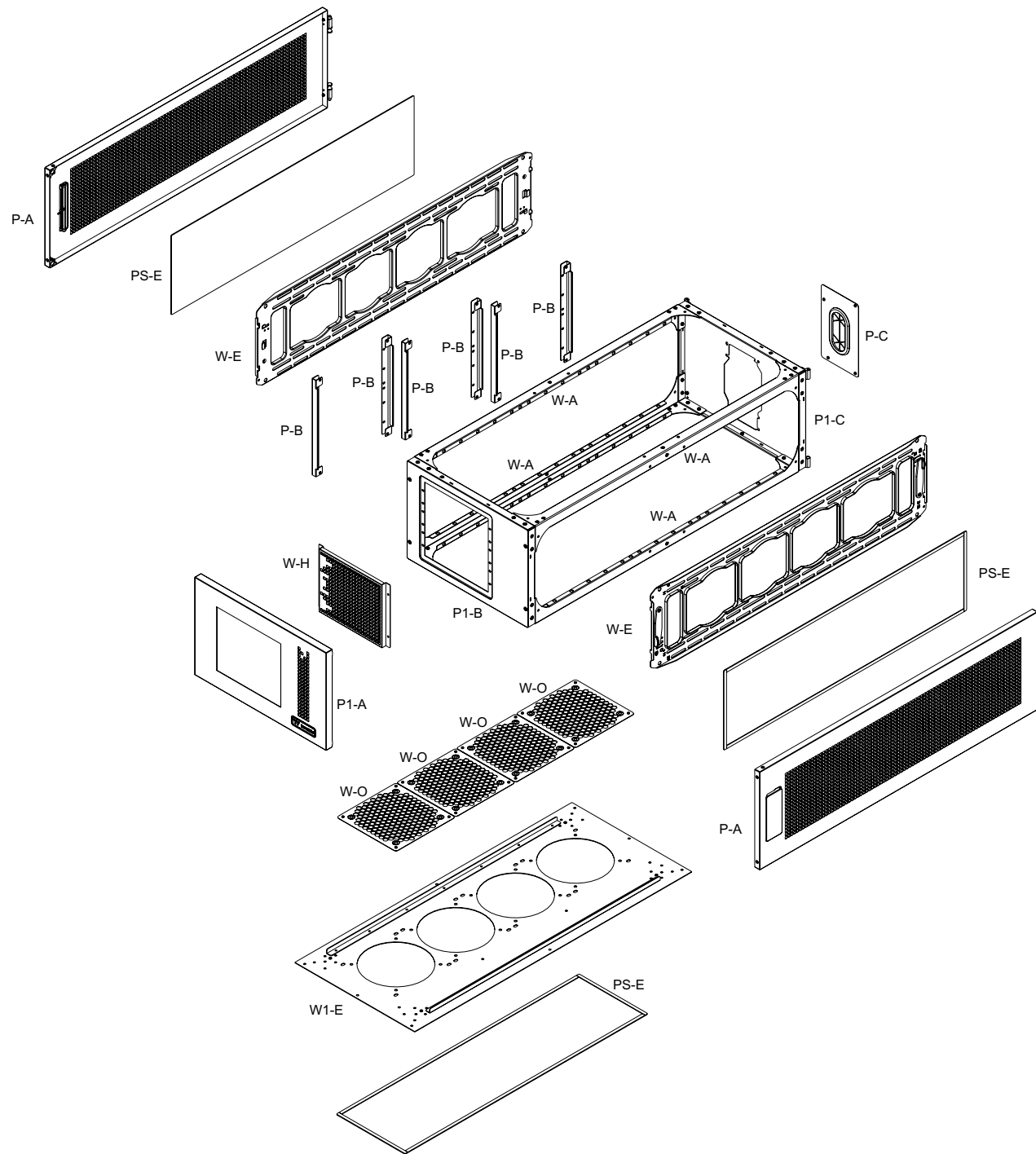


Front

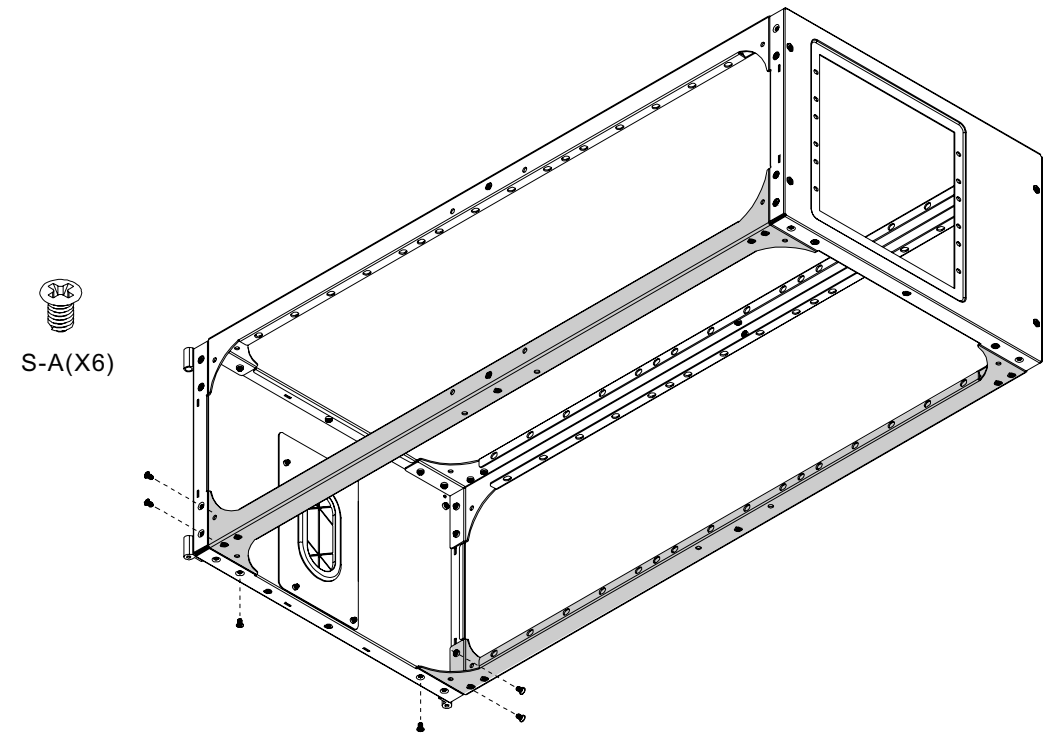
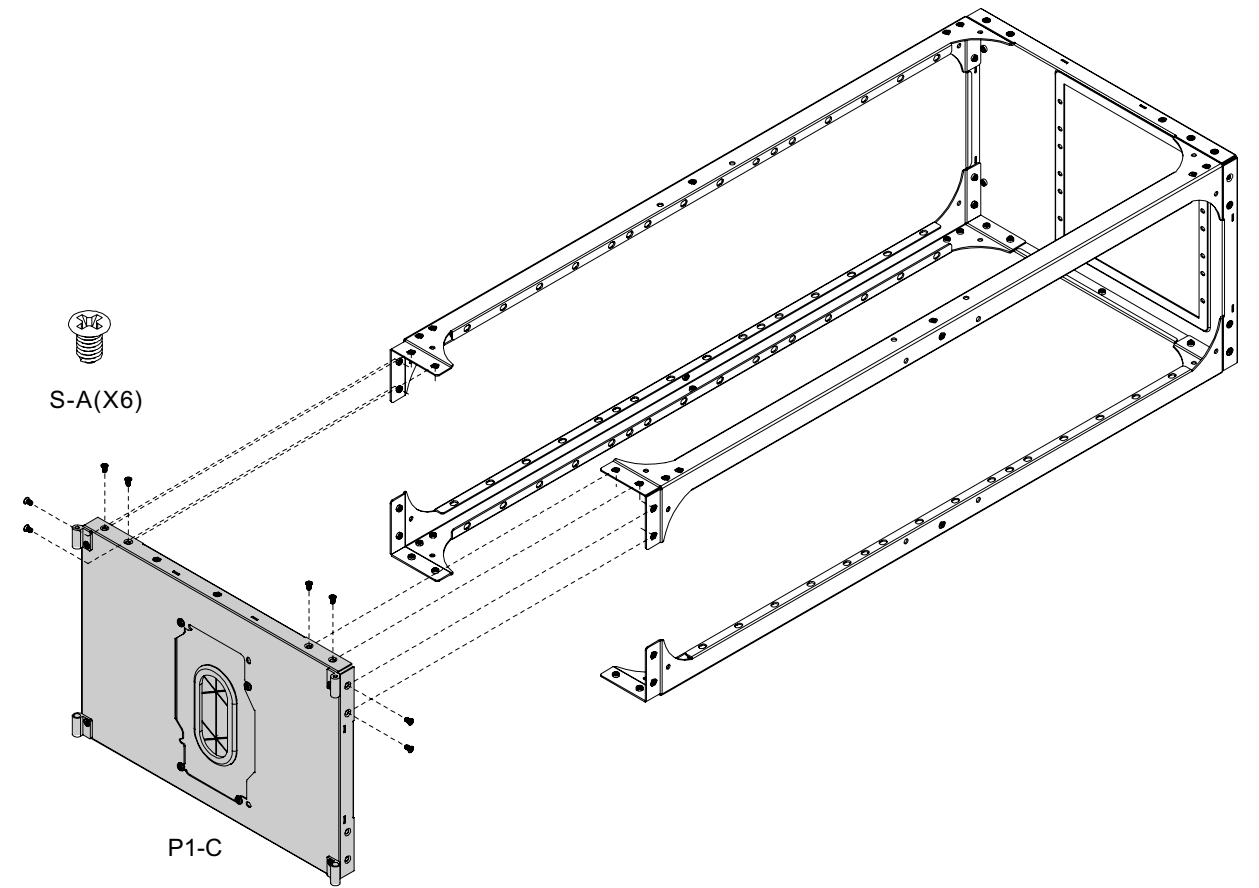
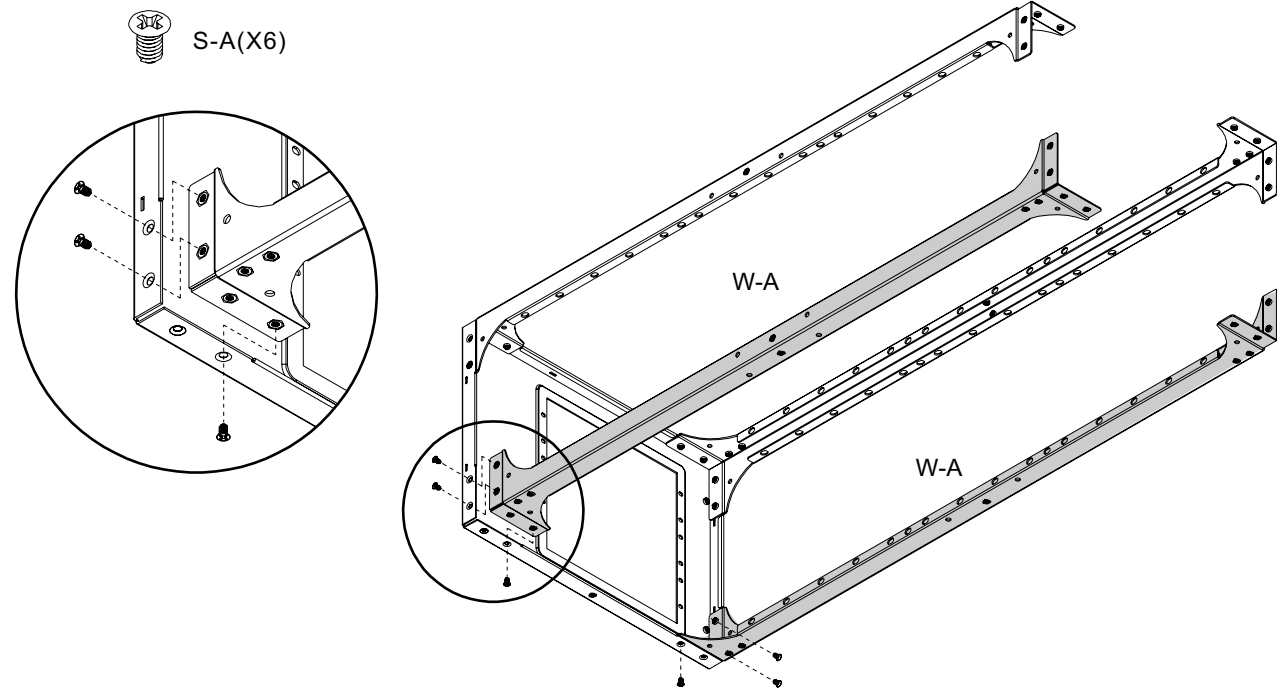
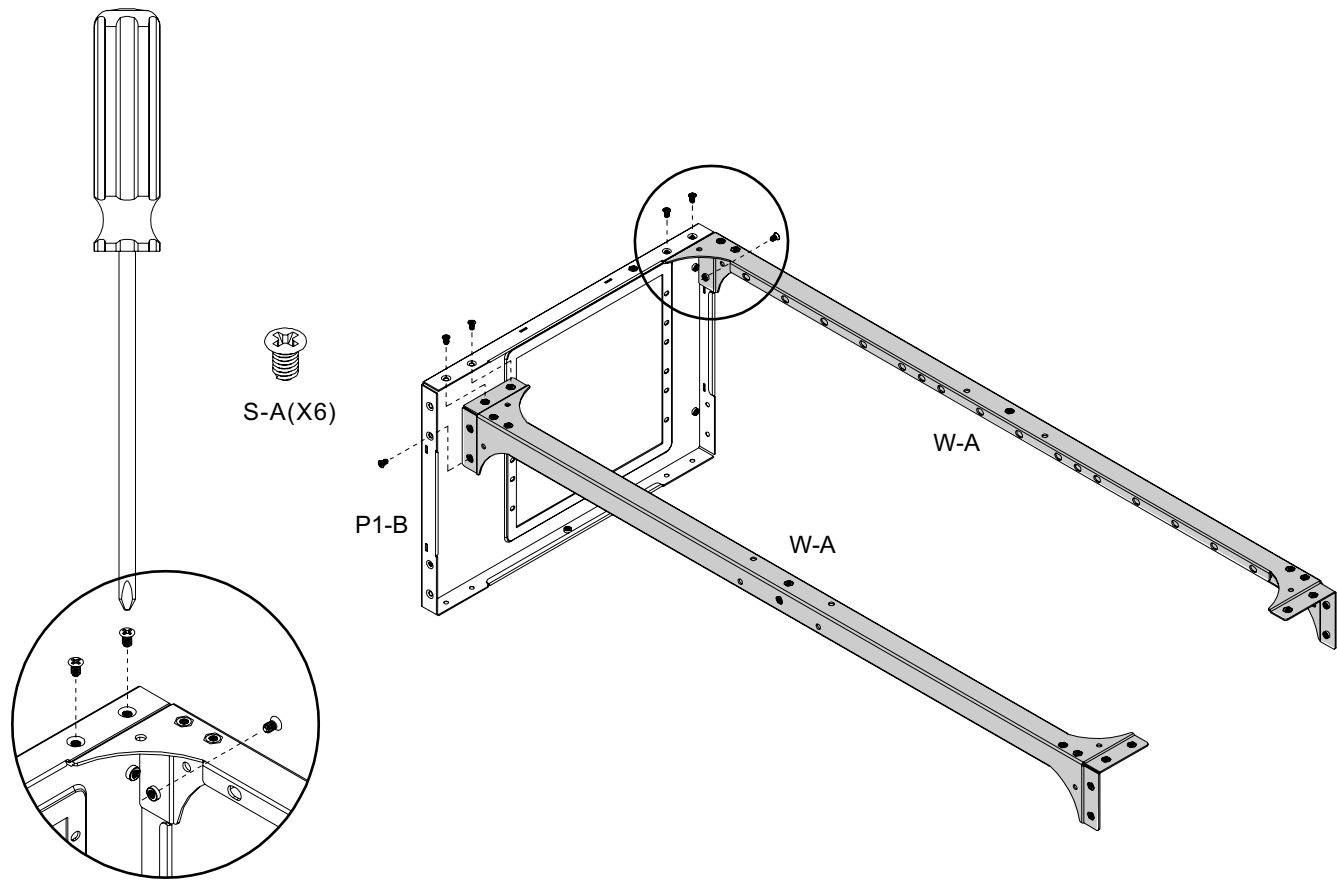


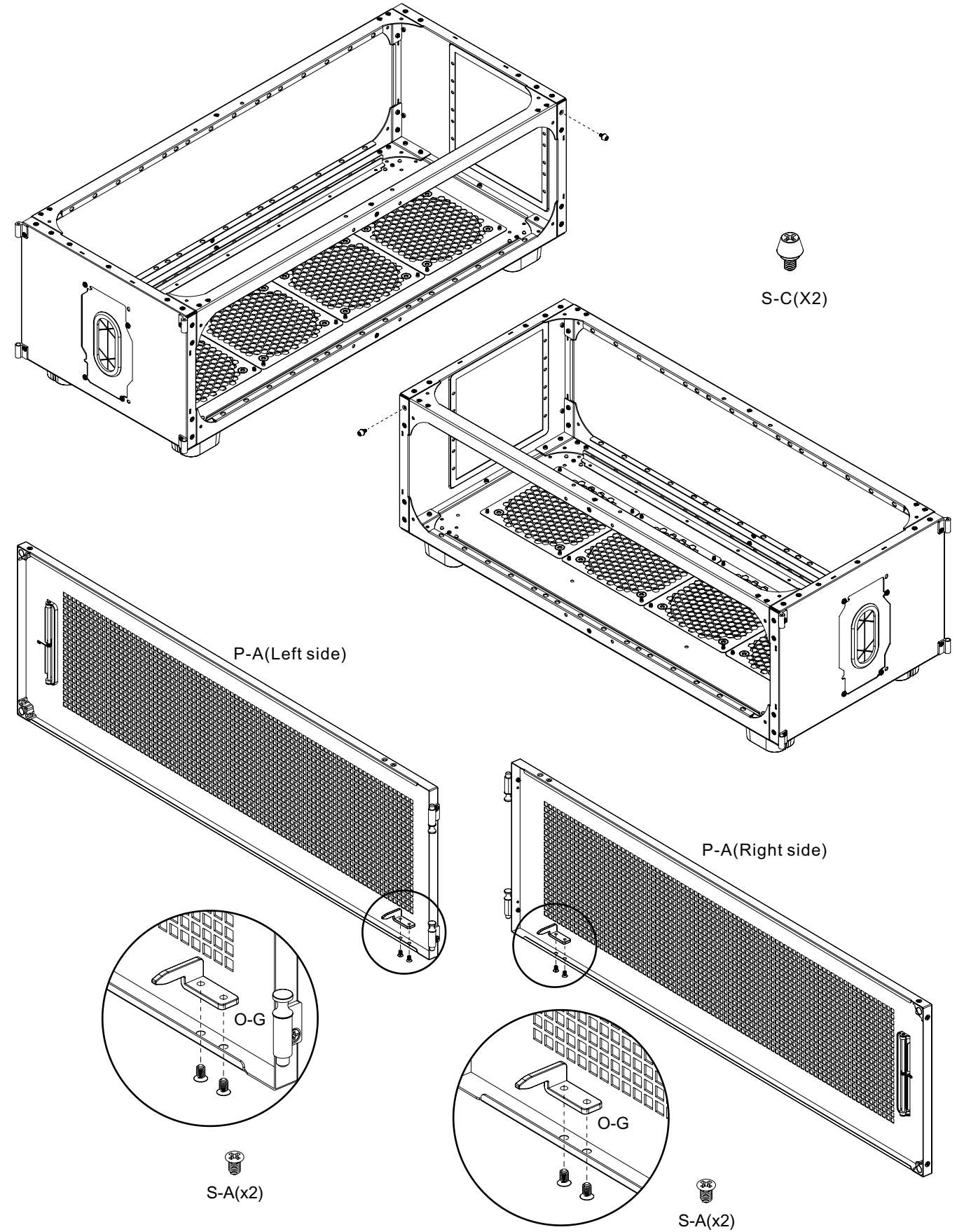
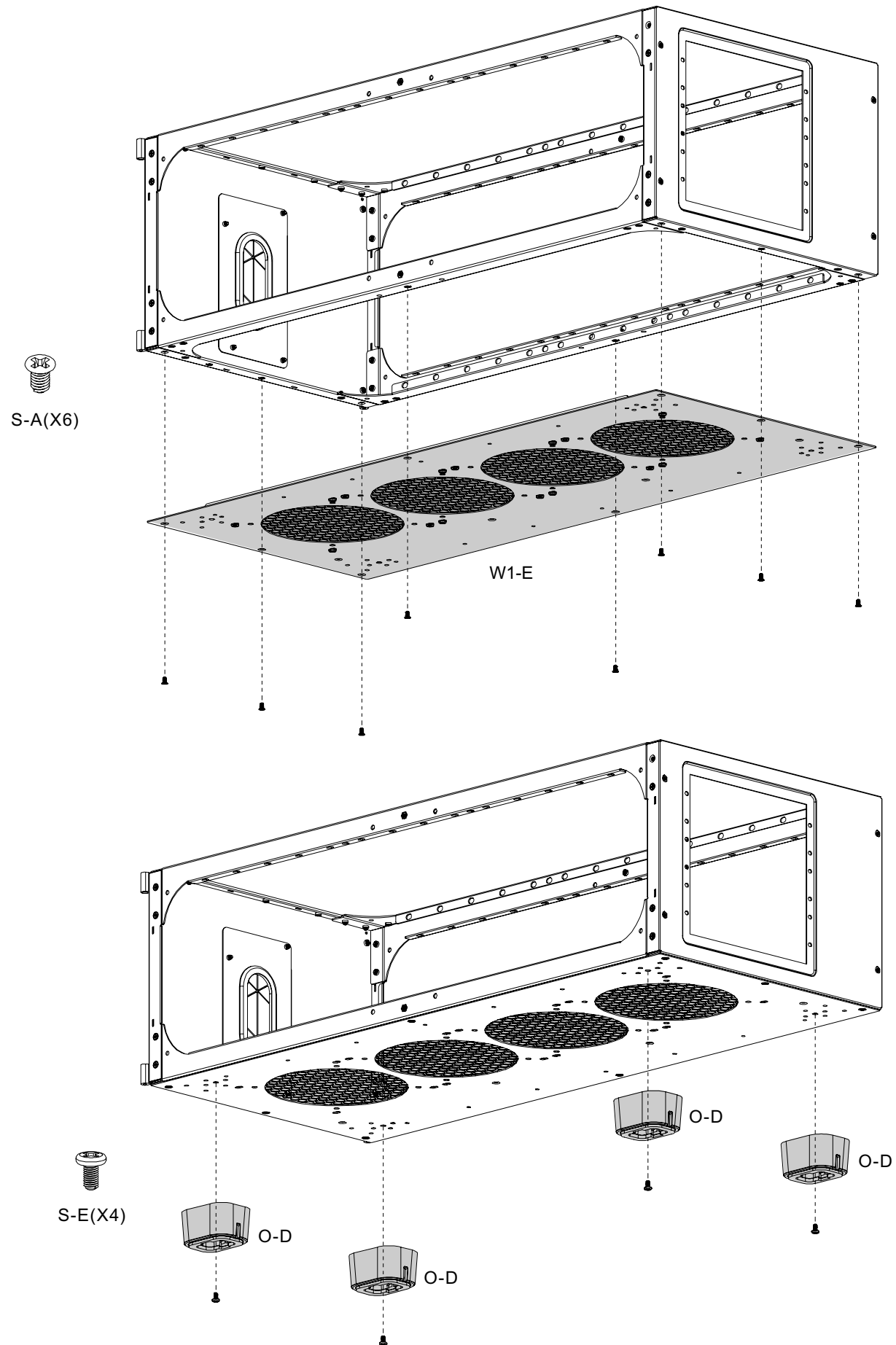
NO	CODE	PARTLIST	Q'ty
1	P1-A	BEZEL	1
2	P1-B	FRONT PANEL	1
3	P1-C	BACK PANEL	1
4	W1-E	BOTTOM PANEL	1
5	W-A	CORNER BAR	4
6	P-A	AIR SIDE PANEL	2

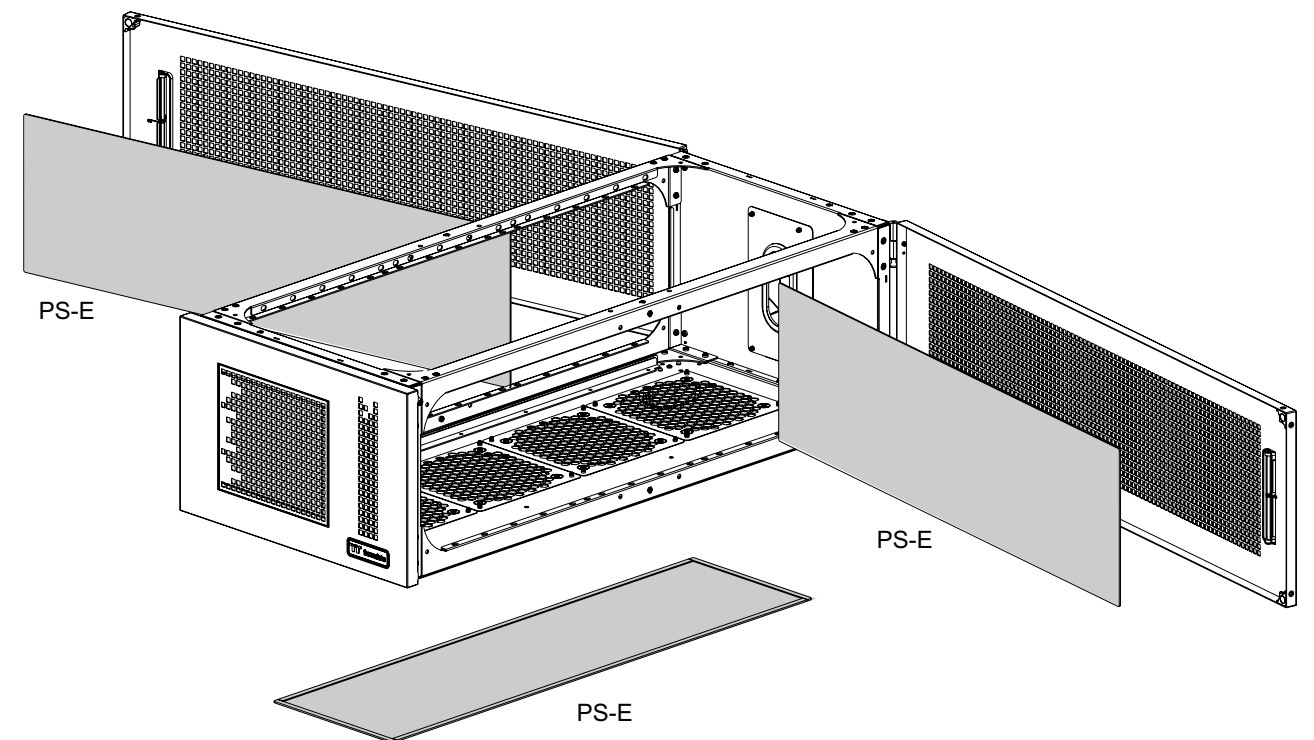
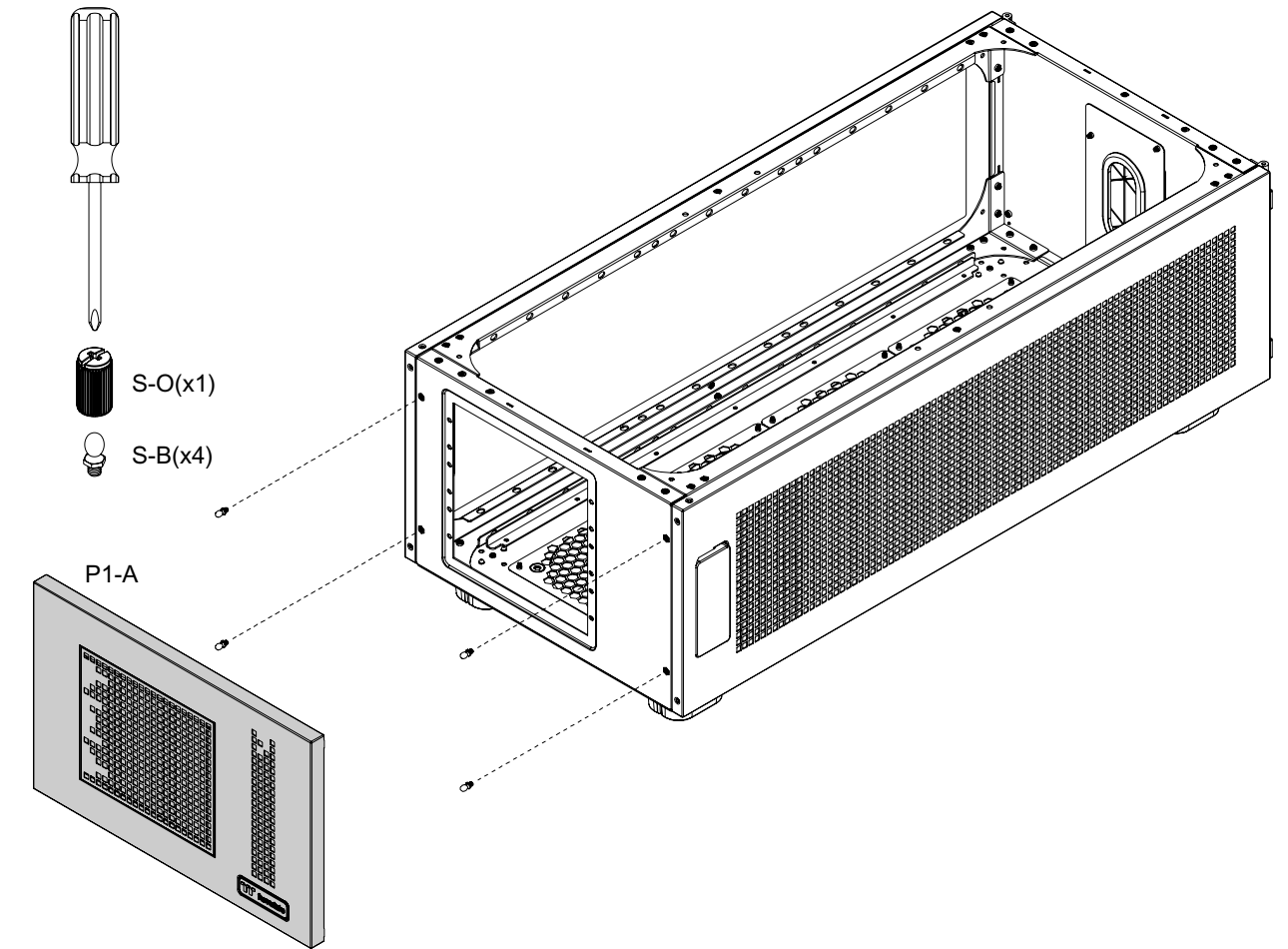
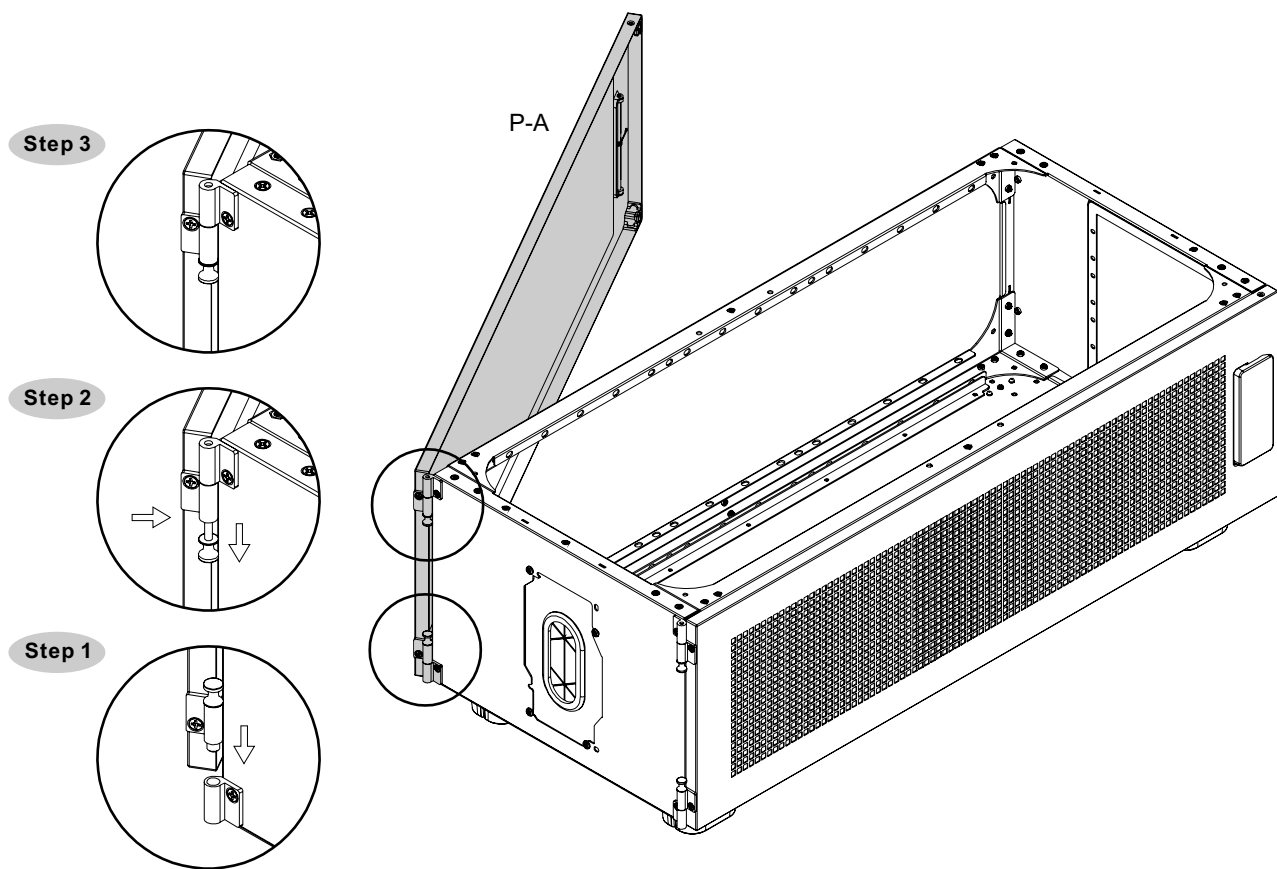
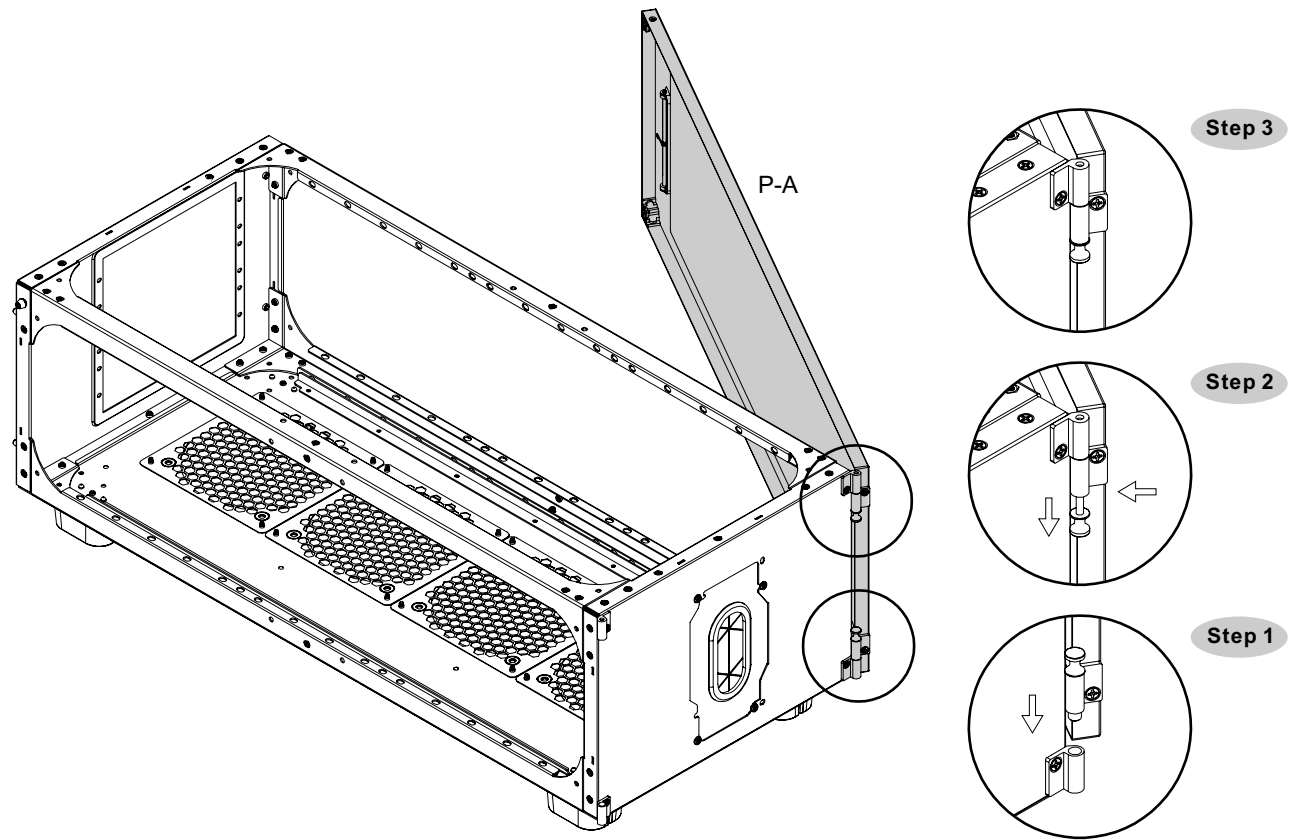
NO	CODE	PARTLIST	Q'ty
7	W-E	RADIATOR BRACKET	2
8	W-H	3 BAY PLATE	1
9	P-B	HDD CAGE BRACKET	6
10	P-C	BACK COVER	1
11	W-O	FAN HOLE AIR COVER	4
12	PS-E	FILTER	3

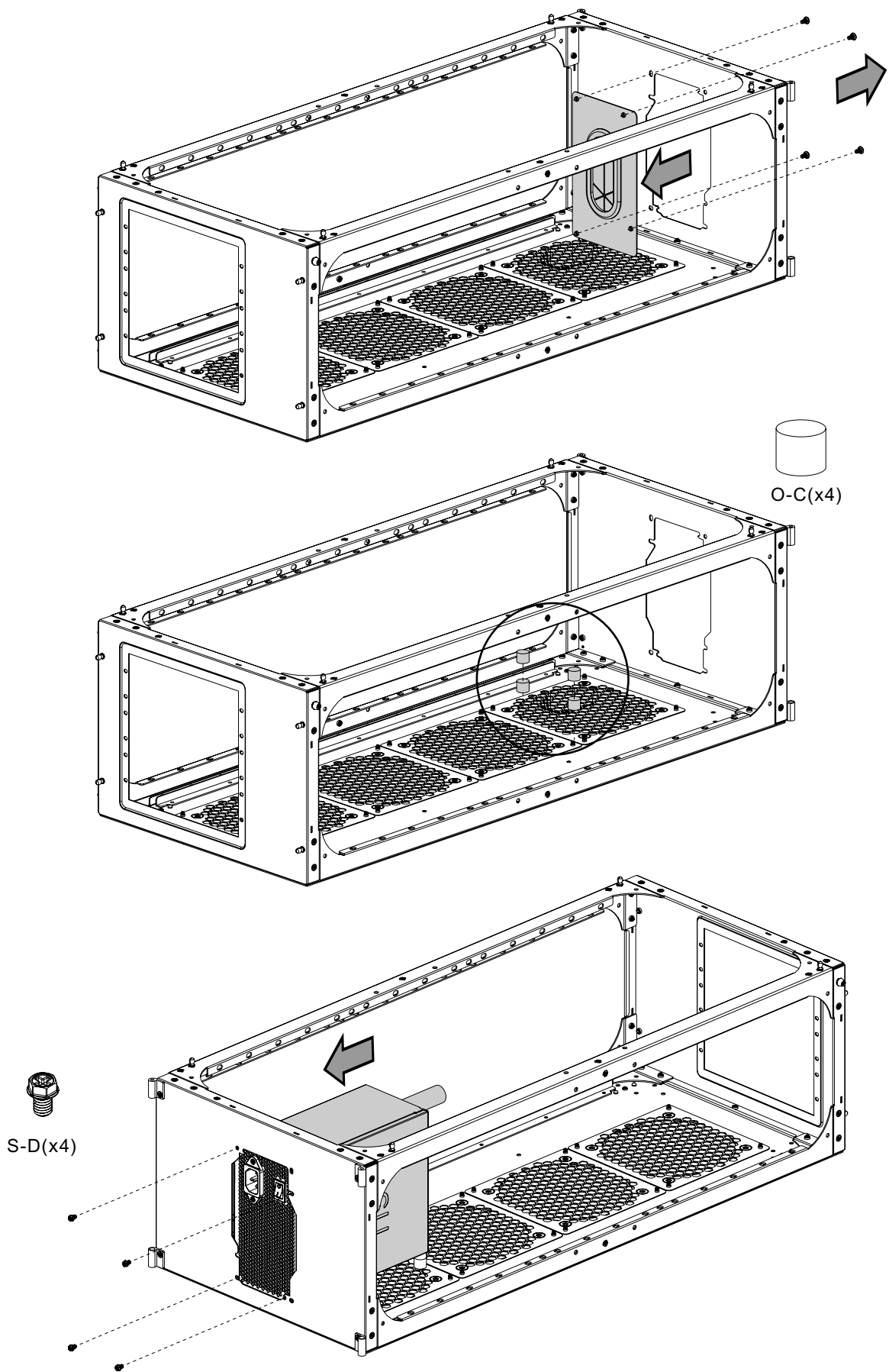


NO	Figure	Parts Name	Q'ty	Used for
S-A		Screw #6-32 x 6mm	44	For case body
S-B		Bezel bolt #6-32 x 3.5mm	10	For front & top plate
S-C		Screw #6-32 x 5mm	4	For side plate location
S-D		Screw #6-32 x 6mm	4	For PSU
S-E		Screw #6-32 x 6mm	20	For HDD/ODD cage/bracket foot stand
S-F		Screw # 6-32 x 28mm	12	For bottom 14cm fan
S-G		Screw # 6-32 x 10mm	6	For stacking
S-H		Nut #6-32	6	For stacking
S-N		Thumb Screw #6-32 x 6mm	6	For Rad bkt
S-O		Nut setter	1	For bezel bolt
O-A		Bezel bolt holder	2	For bezel or top plate
O-B		Cable ties	10	Cable managment
O-C		PSU stand	4	For PSU
O-D		Foot stand	4	For bottom plate
O-G		Guide piece	2	For side panel
W-P		Rubber fan cover	3	For bottom plate

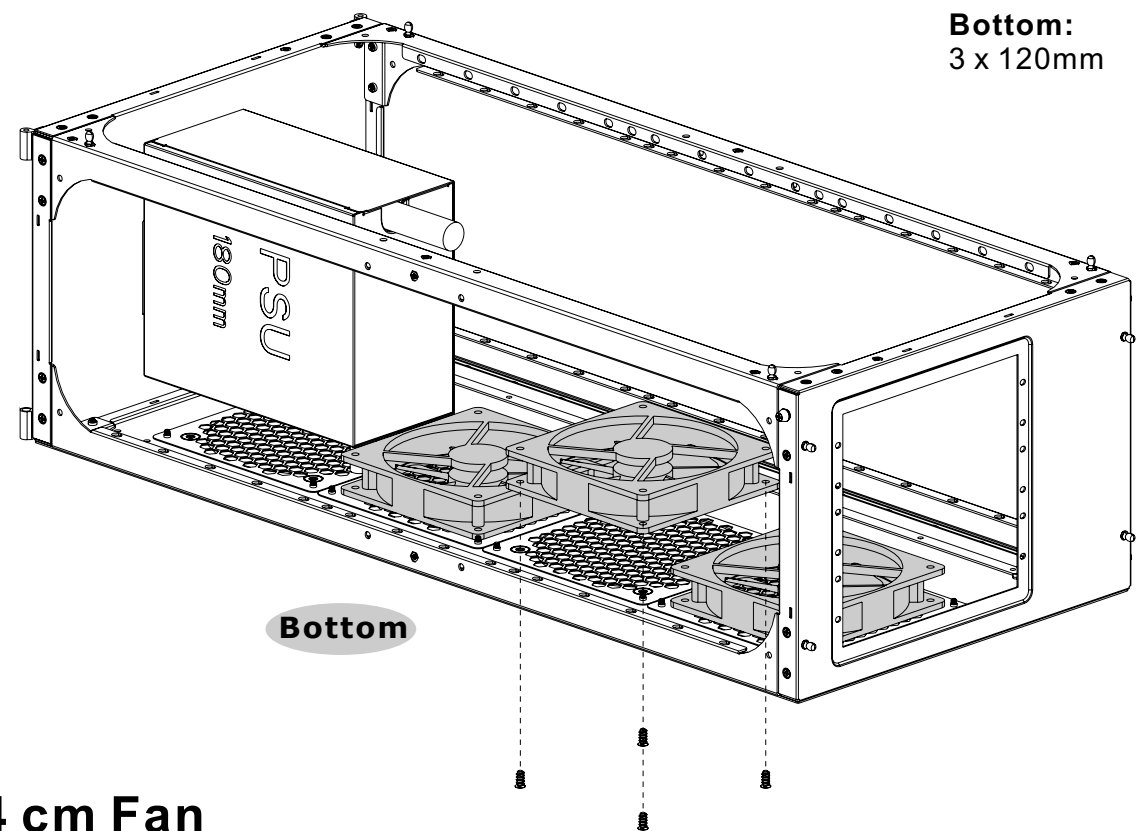




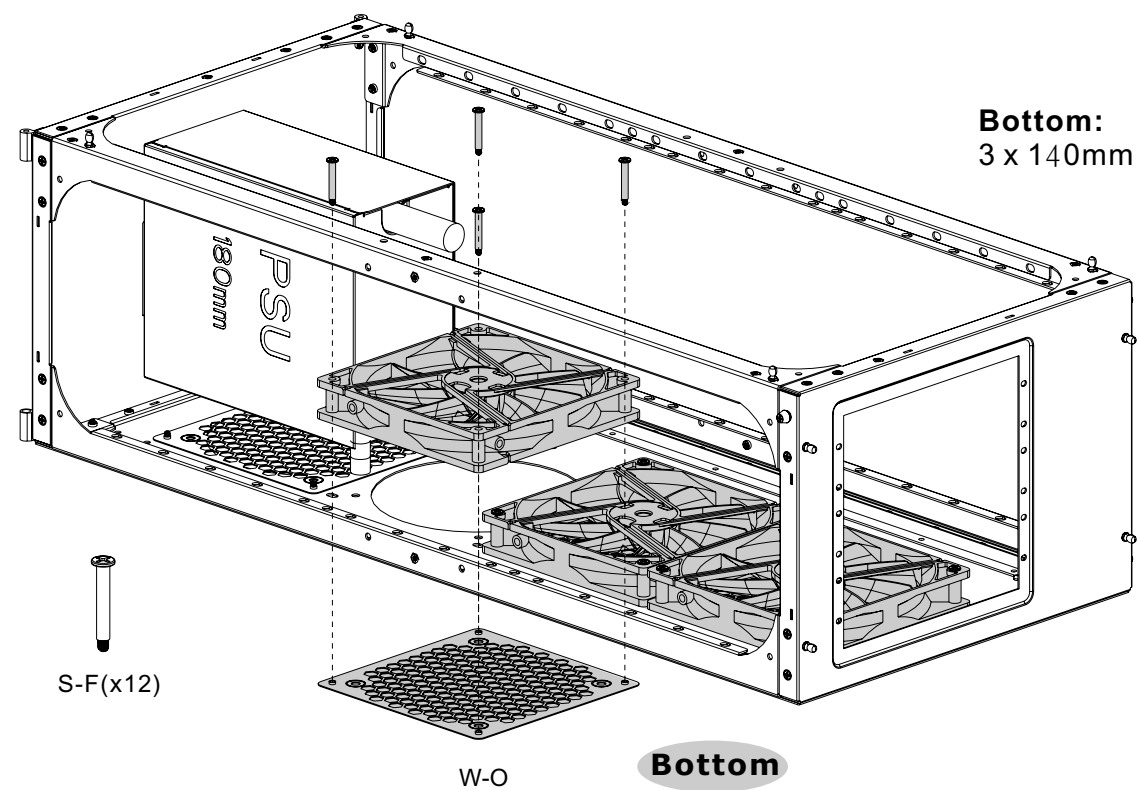




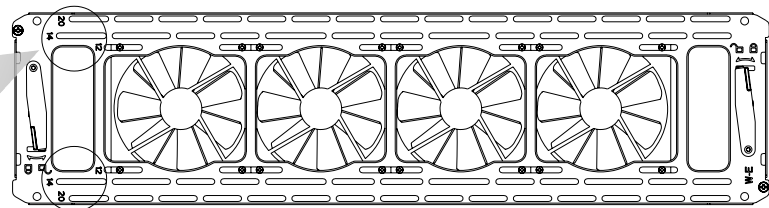
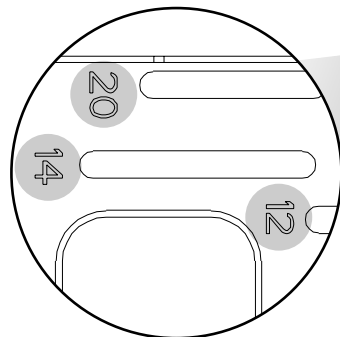
12 cm Fan



14 cm Fan

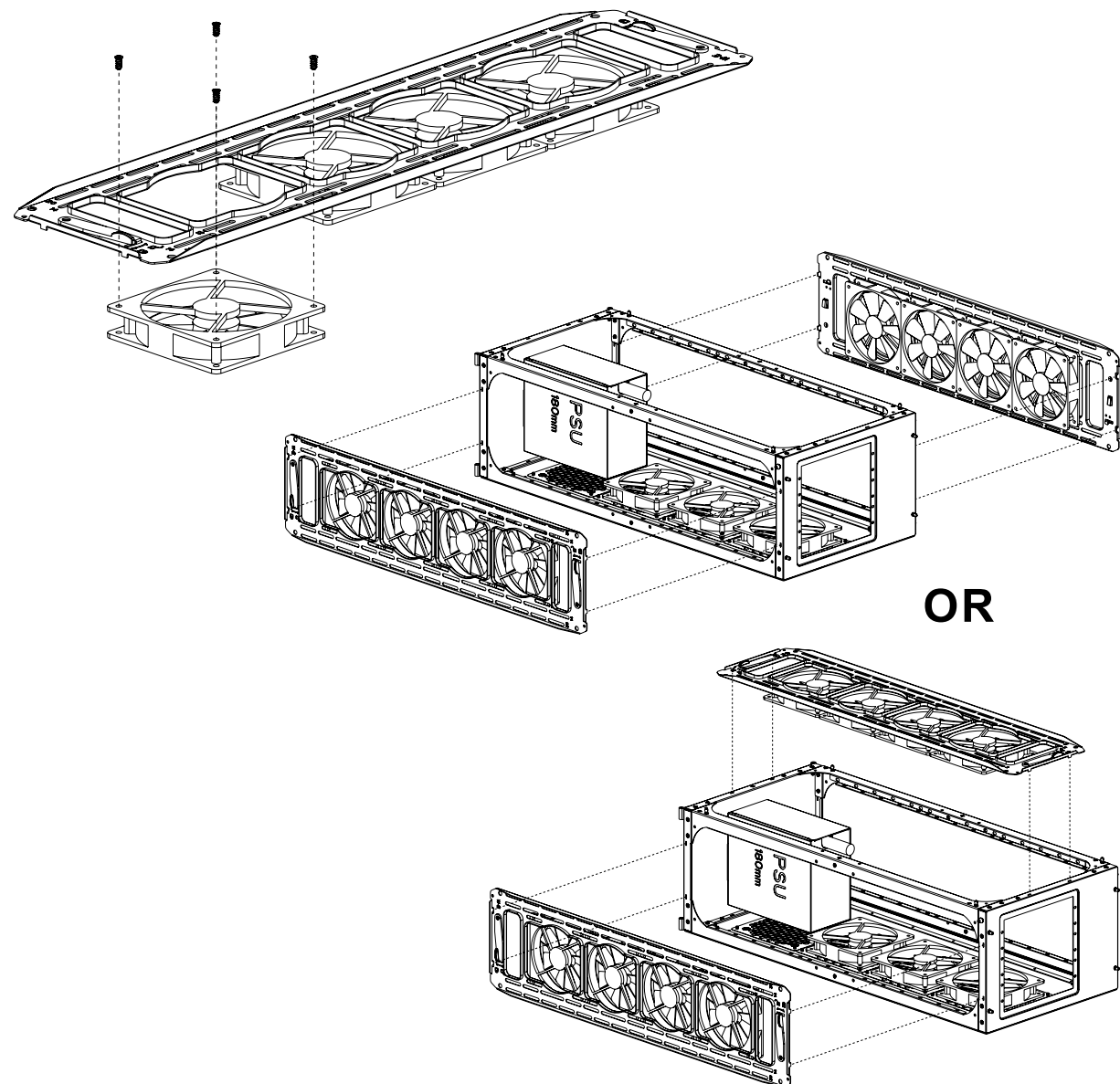


W-E(x2)

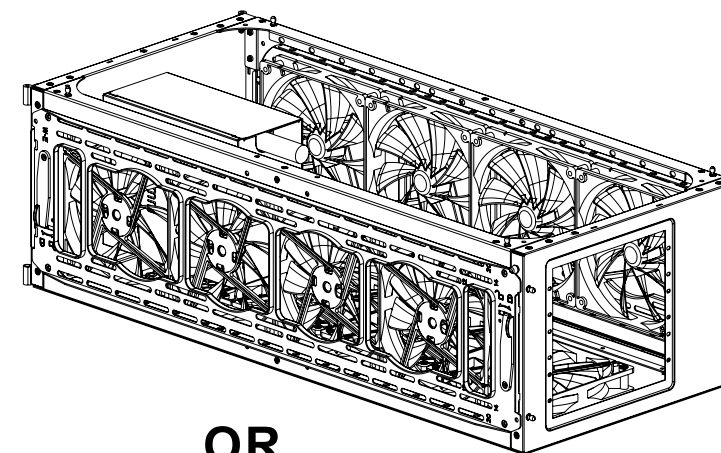
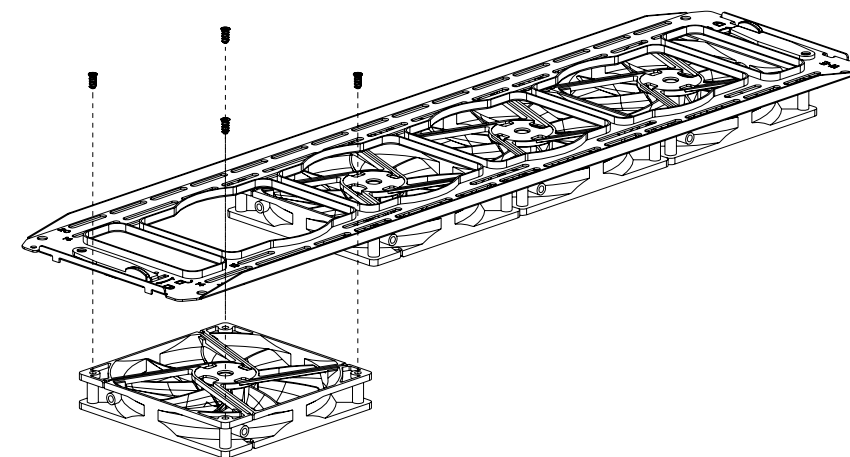


12: for 12cm fan
 14: for 14cm fan
 20: for 20cm fan

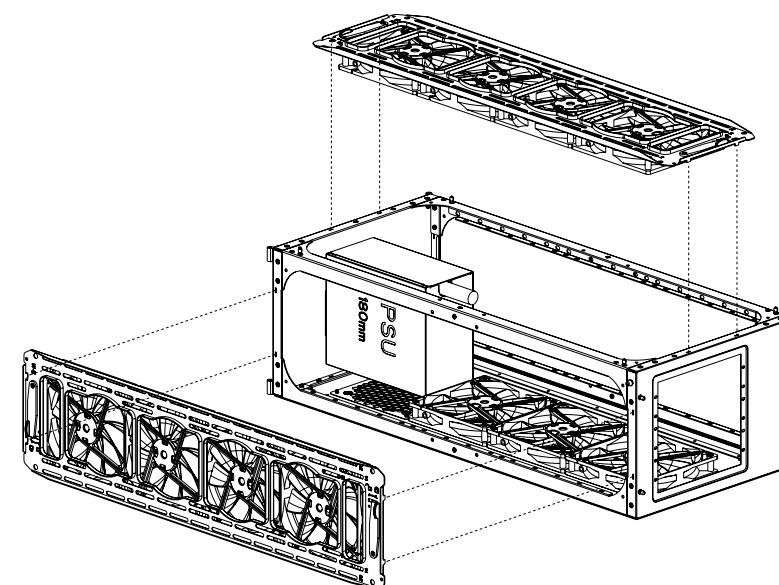
12 cm Fan(x4)



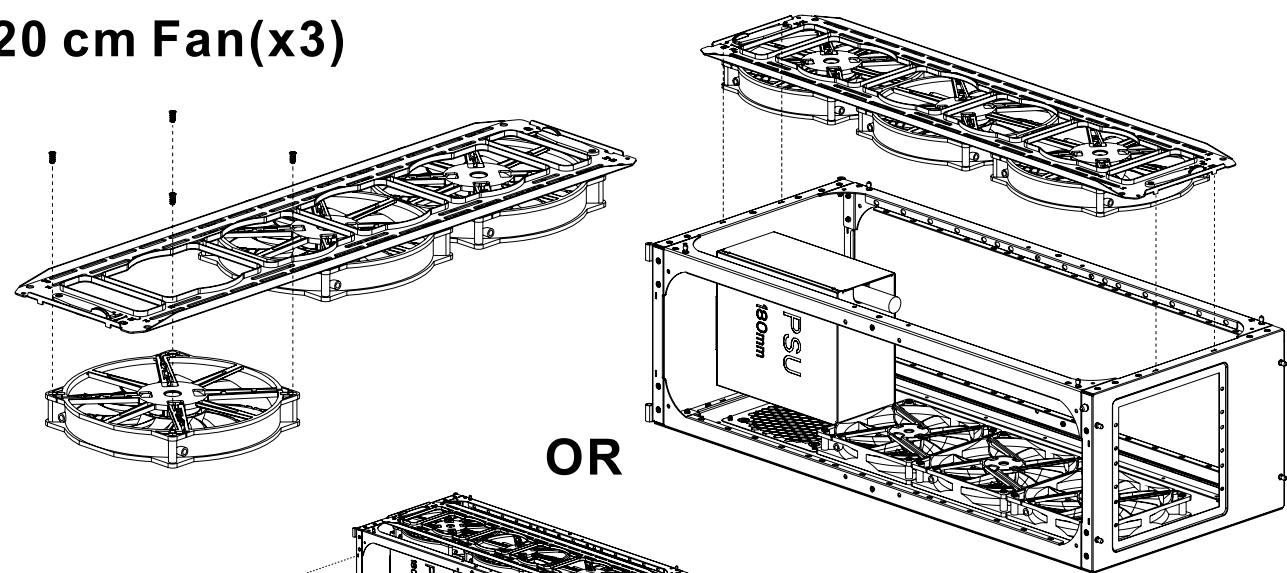
14 cm Fan(x4)



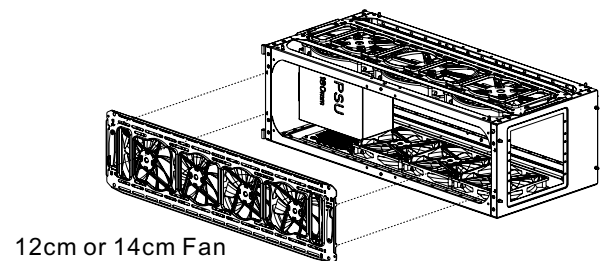
OR



20 cm Fan(x3)



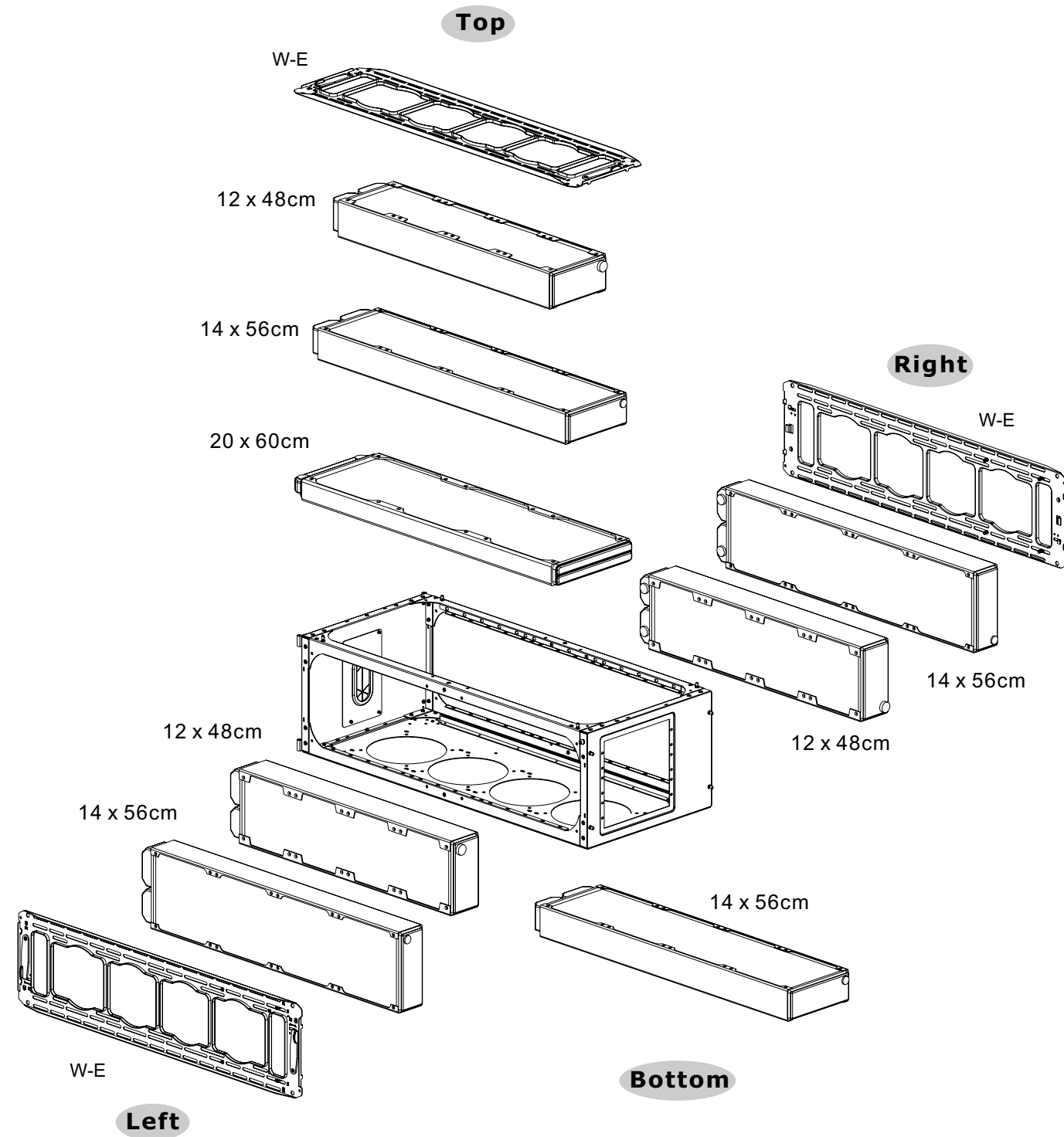
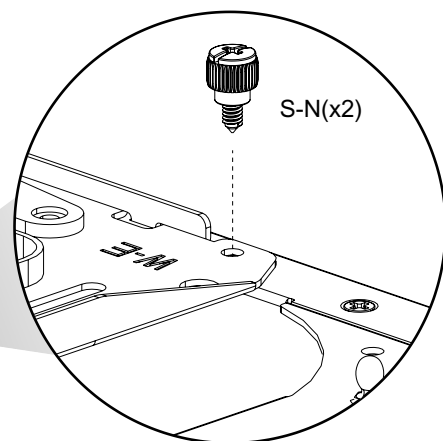
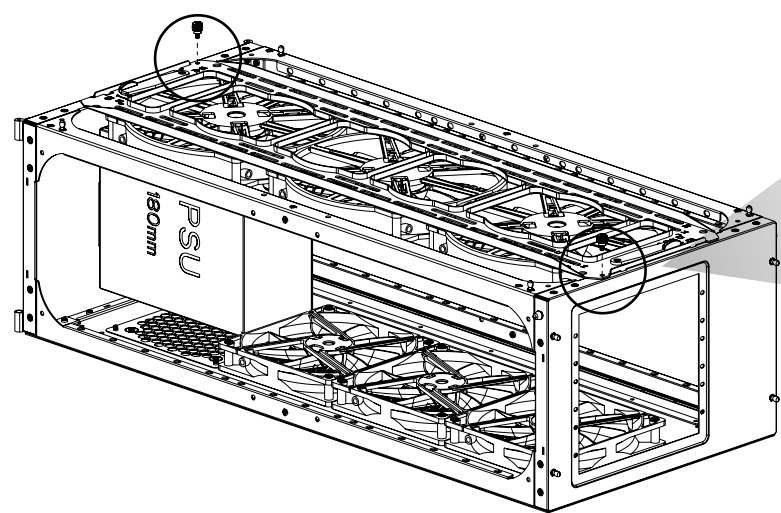
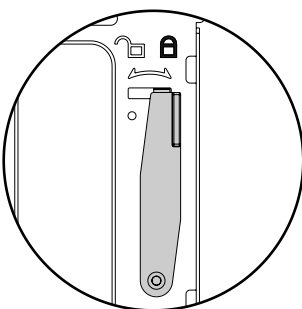
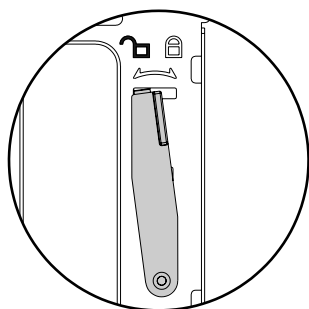
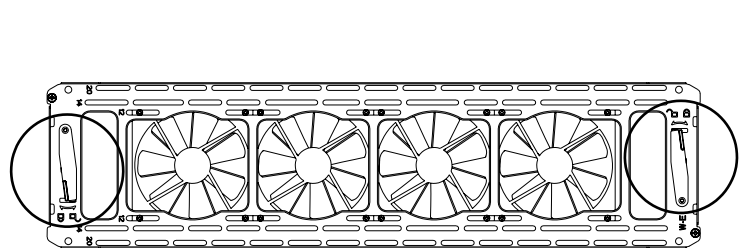
OR



12cm or 14cm Fan

UNLOCK

LOCK



Top

W-E

12 x 48cm

14 x 56cm

20 x 60cm

Right

W-E

14 x 56cm

12 x 48cm

14 x 56cm

Bottom

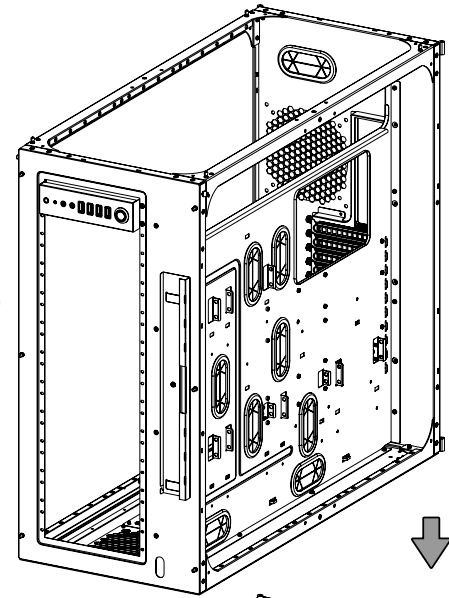
Left

W-E

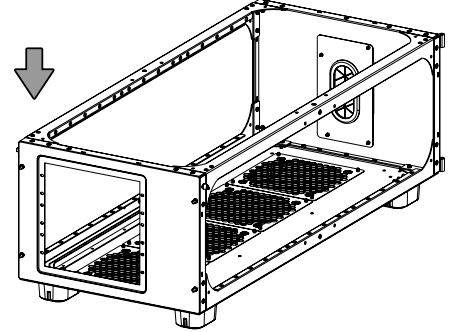
12 x 48cm

14 x 56cm

W100

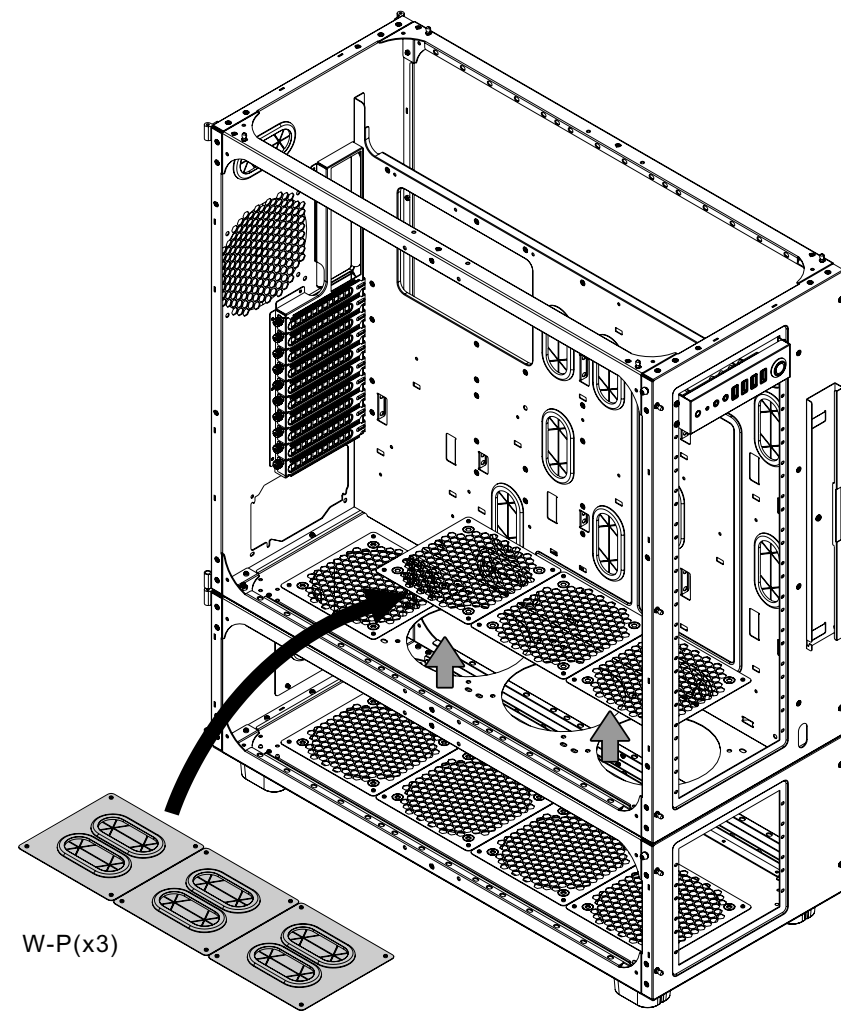
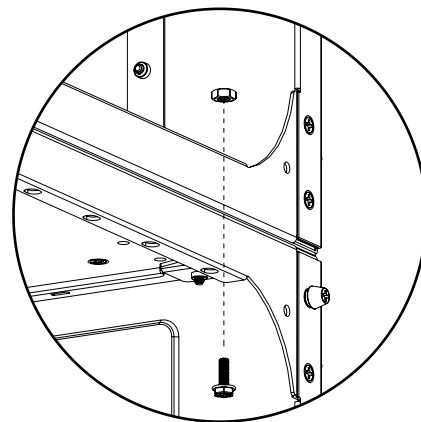
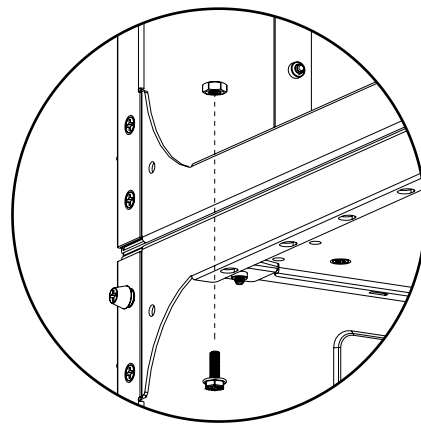
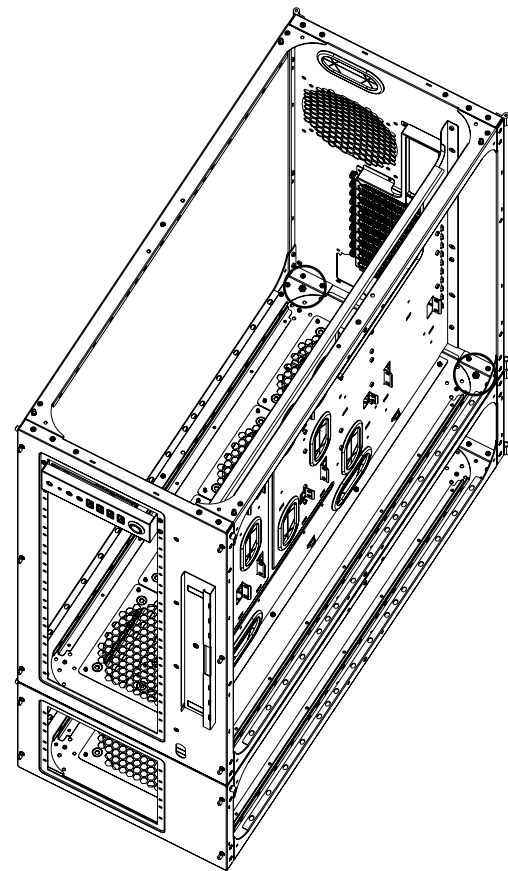
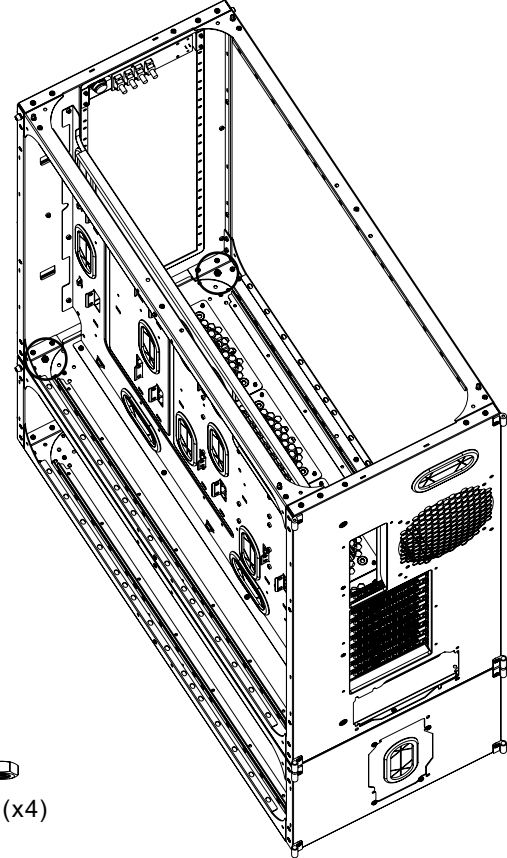


P100



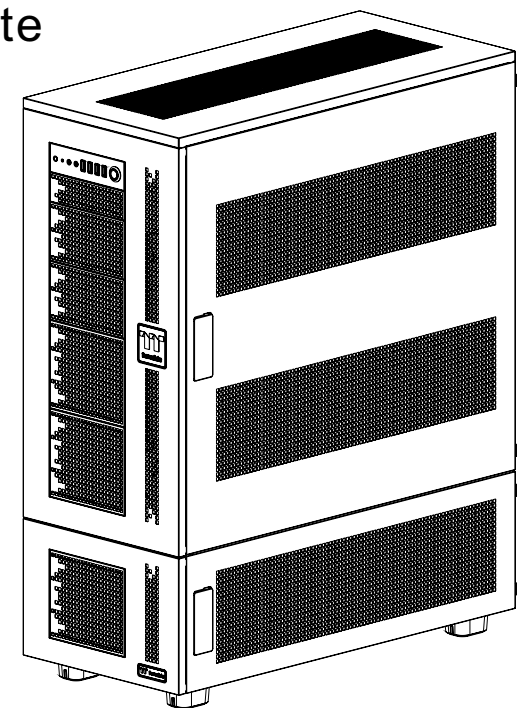
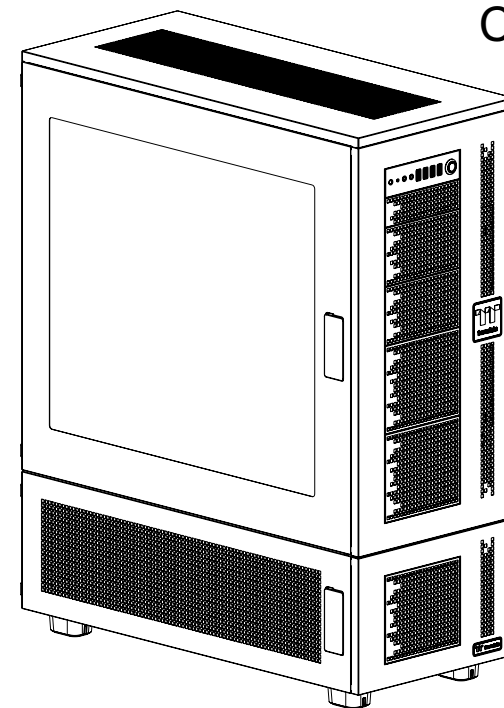
S-H(x4)

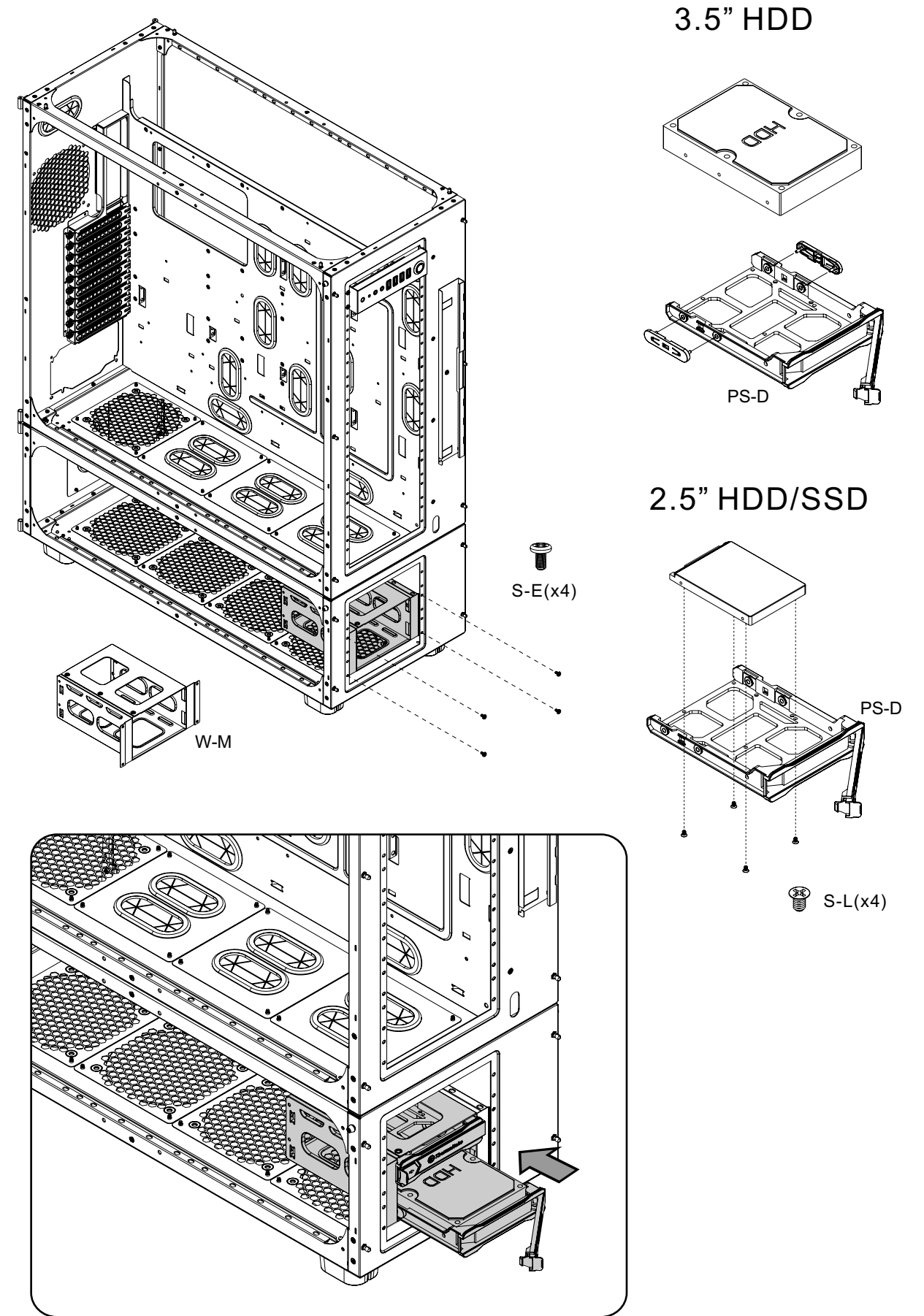
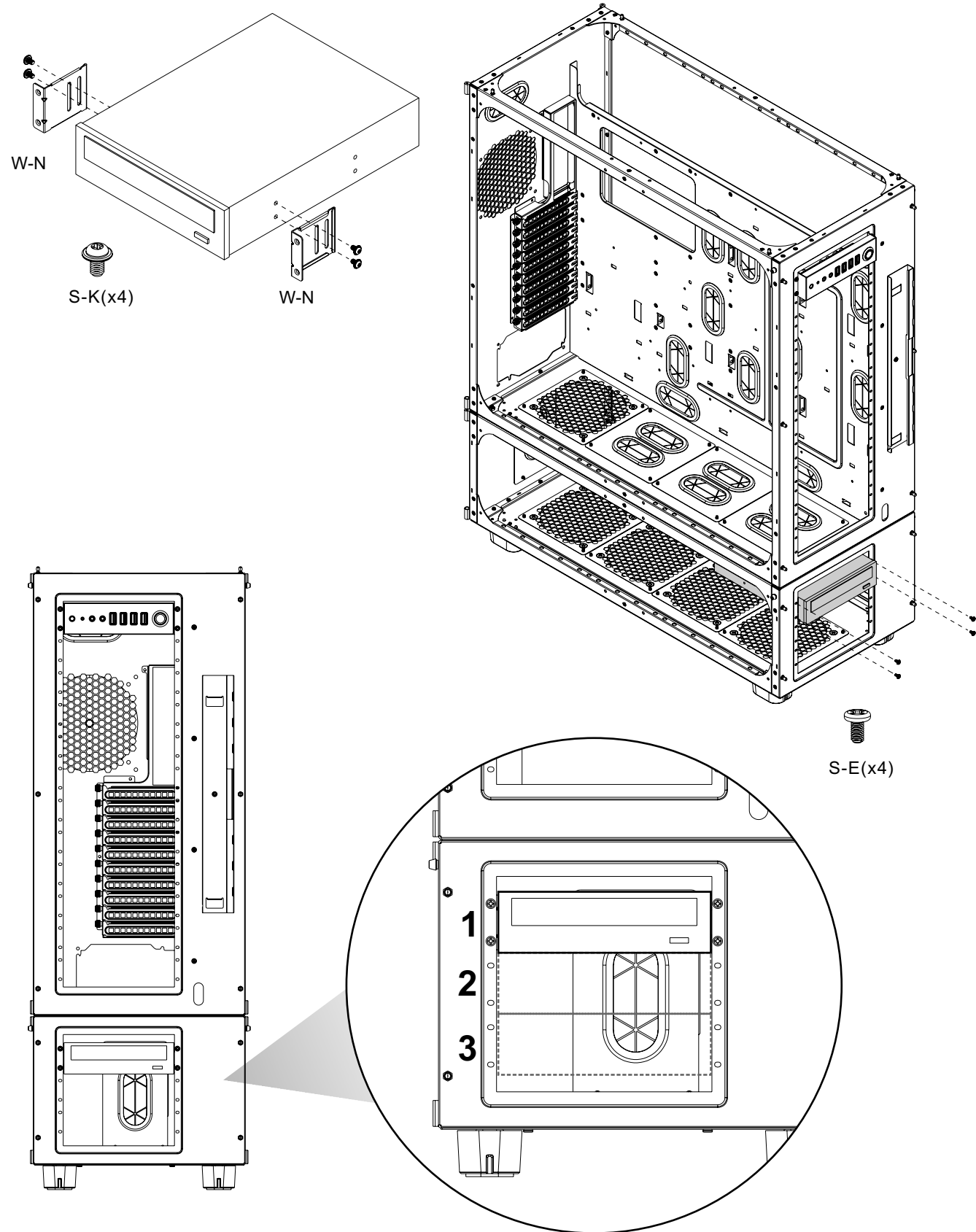
S-G(x4)

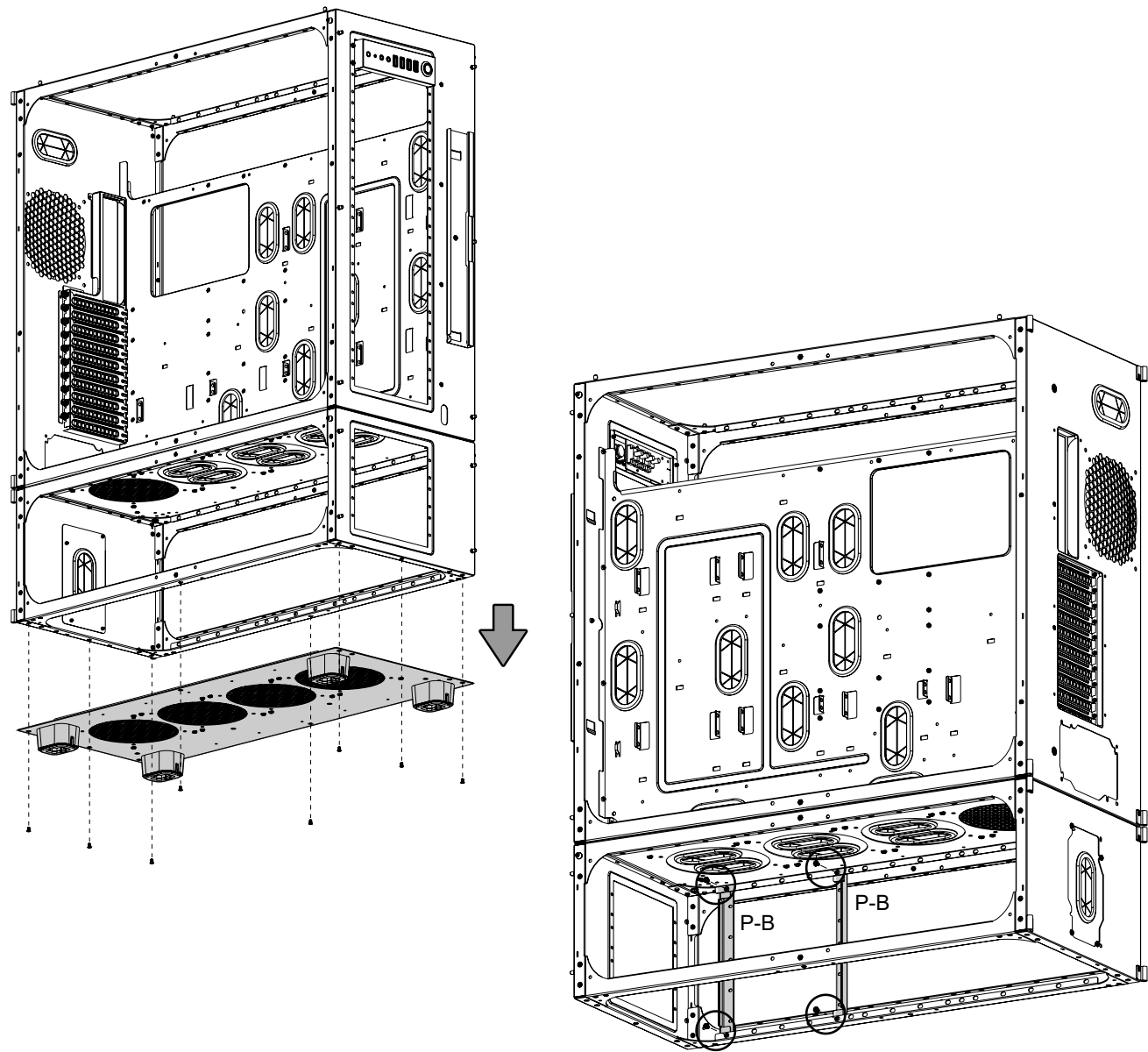


W-P(x3)

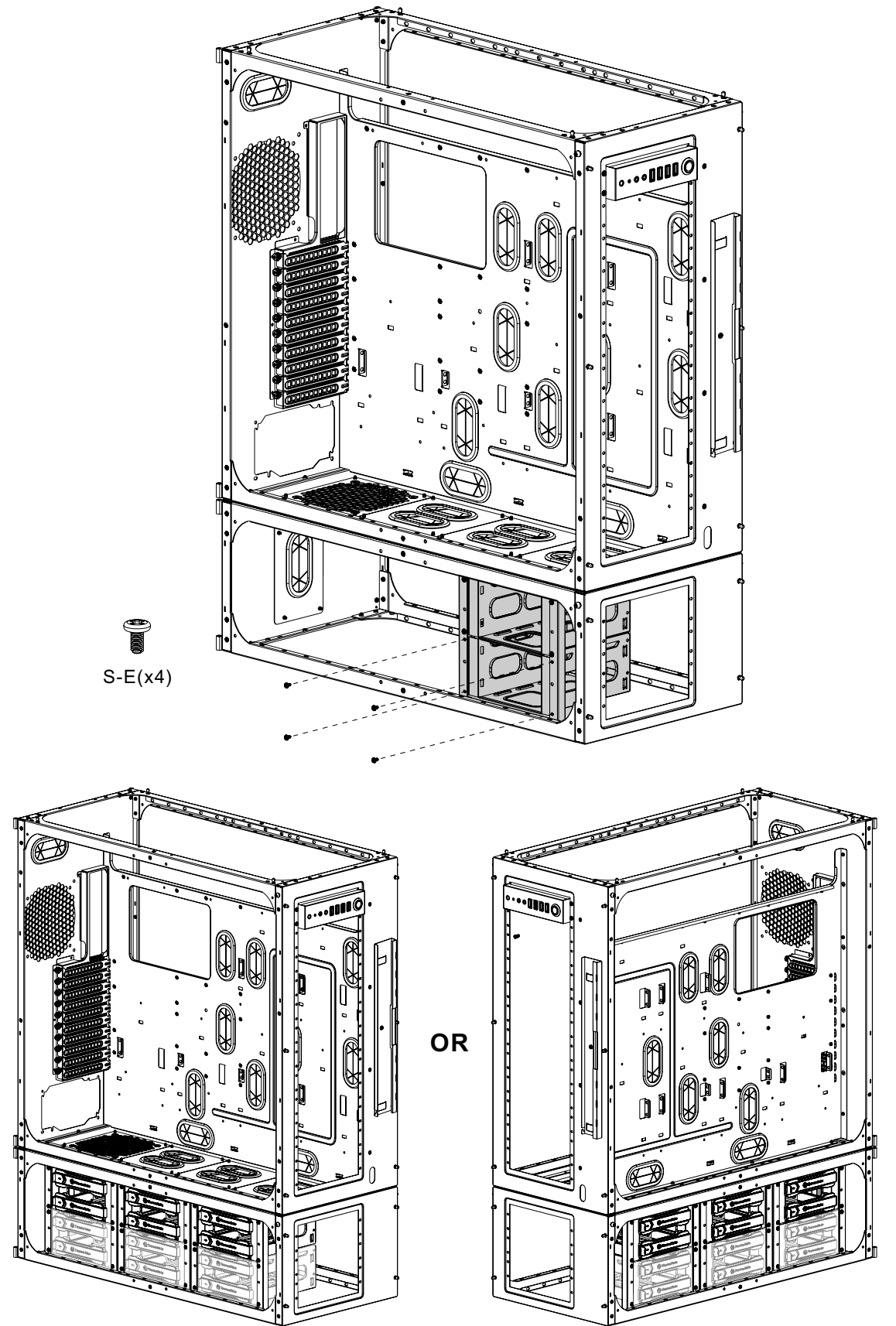
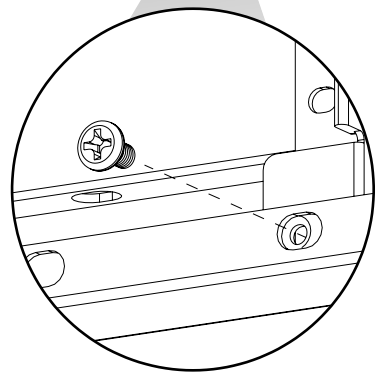
Complete







S-E(x4)



S-E(x4)

OR

